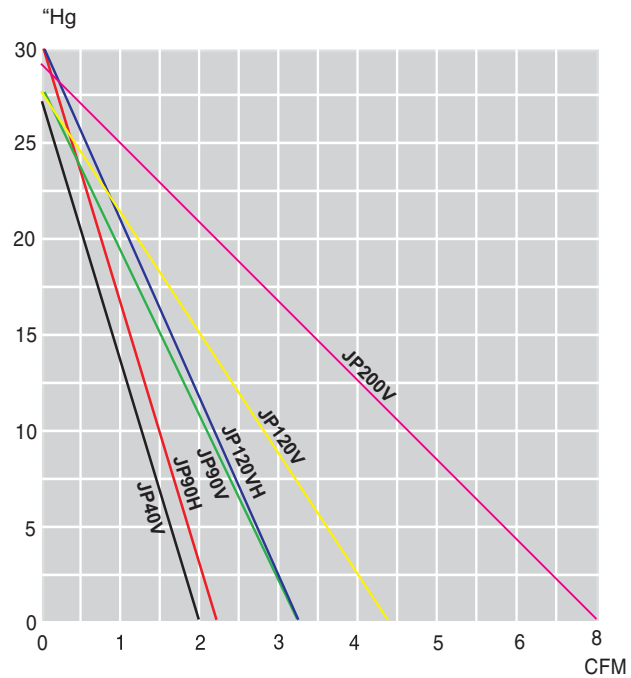




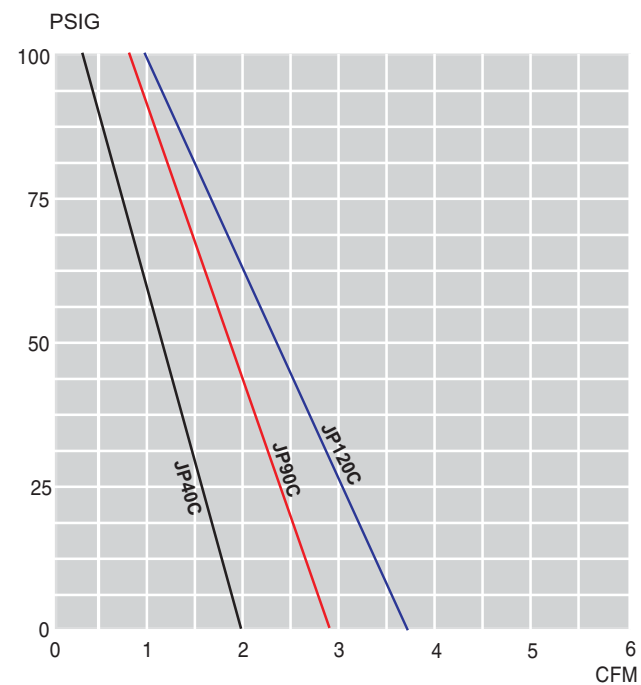
**Performance Curves: 60Hz  
Vacuum**



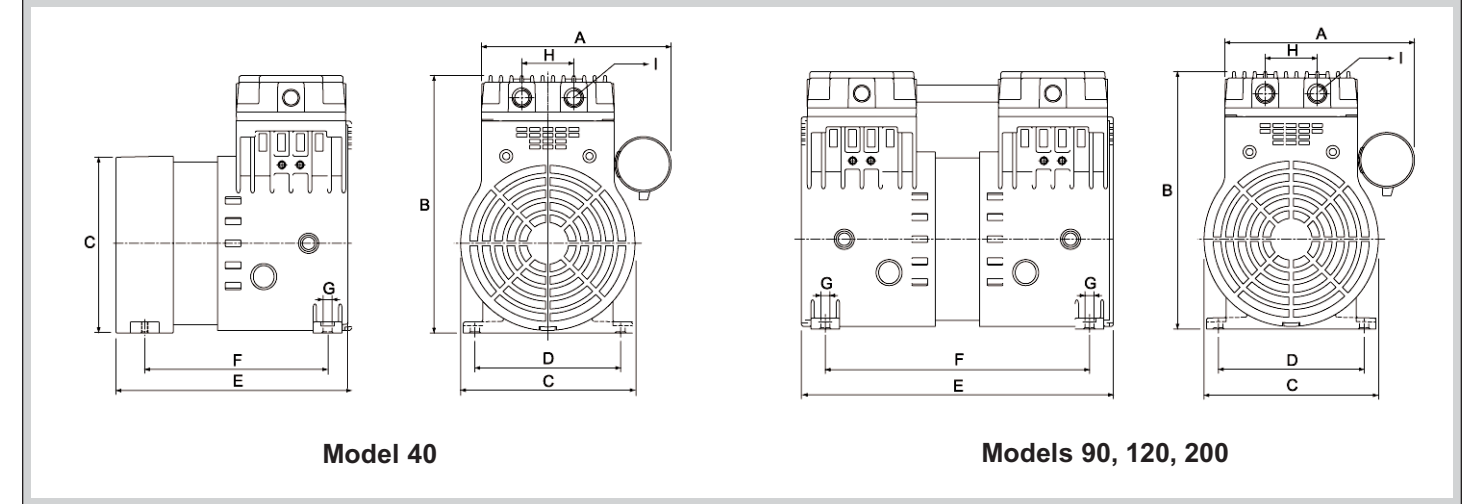
**Features:**

- High efficiency cooling fan
- Hard coated compression cylinder
- Precision valve plates
- Low noise level
- Maintenance free operation

**Pressure**



**Dimensions (mm):**



Model	A	B	C	D	E	F	G	H	I	Weight
40	146	198	∅134	112	181	140.5	∅7	40	PT 1/4"	6.80 KG
90	146	198	∅134	112	240	203.5	∅7	40	PT 1/4"	8.35 KG
120	146	198	∅134	112	240	203.5	∅7	40	PT 1/4"	8.40 KG
*200	146	230	∅134	112	255	216.0	∅7	40	PT 3/8"	10.50 KG

\*The dimensions indicated are provisional.

<b>Specifications:</b>						
Vacuum Pumps Model	JP40V	JP90V	JP90H	JP120V	JP120VH	JP200V
Max Air Flow (CFM)	1.94	3.20	2.33	4.30	3.20	8.0
Max Vacuum (Hg")	26.77	27.56	29.13	27.56	29.13	27.75
Voltage	115 ∅	115 ∅	115 ∅	115 ∅	115 ∅	115 ∅
Max. Amps	2.0	1.8	2.3	2.1	2.2	4.57
Motor Capacity (WATTS)	250	300	230	380	360	400
Motor Speed (RPM)	1725	1725	1755	1725	1725	1750
Noise Level (dB)	56	56	56	56	56	56

<b>Specifications:</b>			
Air Compressors Model	JP40C	JP90C	JP120C
Max Air Flow (CFM)	1.80	2.85	3.70
Max Pressure (PSI)	100	100	100
Voltage	115 ∅	115 ∅	115 ∅
Max. Amps	3.3	3.6	3.9
Motor Capacity (WATTS)	300	350	420
Motor Speed (RPM)	1725	1725	1725
Noise Level (dB)	62	62	62

**Notes:**

a. Standard voltage for single phase pumps is 115V/1ph 60 Hz or 230V/1ph 60Hz

b. All pumps available in 50 Hz frequency and with other voltages.

Specifications subject to change without notice. Please contact factory for specification updates.