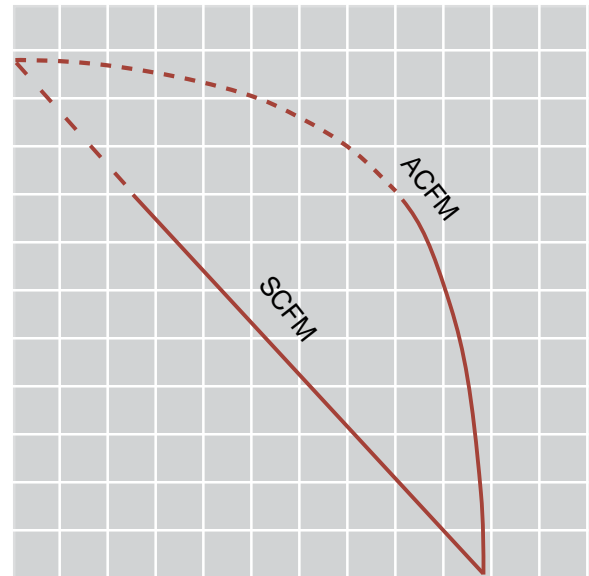


#### Performance Curves: 60Hz Vacuum

"Hg



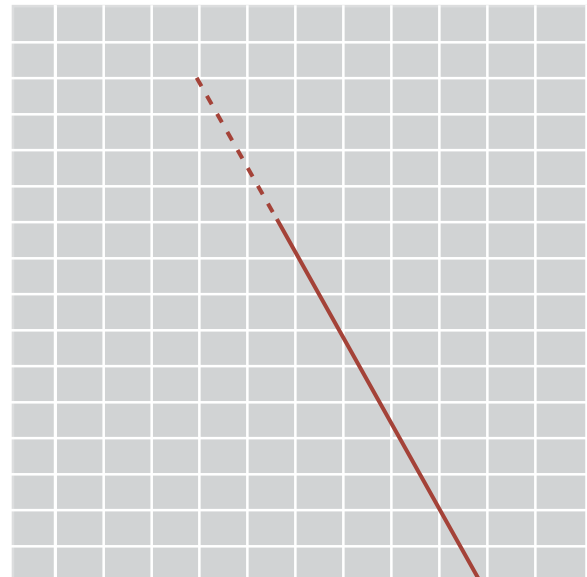
&)0

#### Features:

- Oil free
- Maintenance free
- Operates quietly - maximum 70 dB (A)
- Cooler running outboard bearings increase service life
- Built-in particulate filters and silencers.
- Compact light weight design
- Handles vacuum and/or pressure applications
- Ideal alternative to standard oil sealed rotary vane pumps

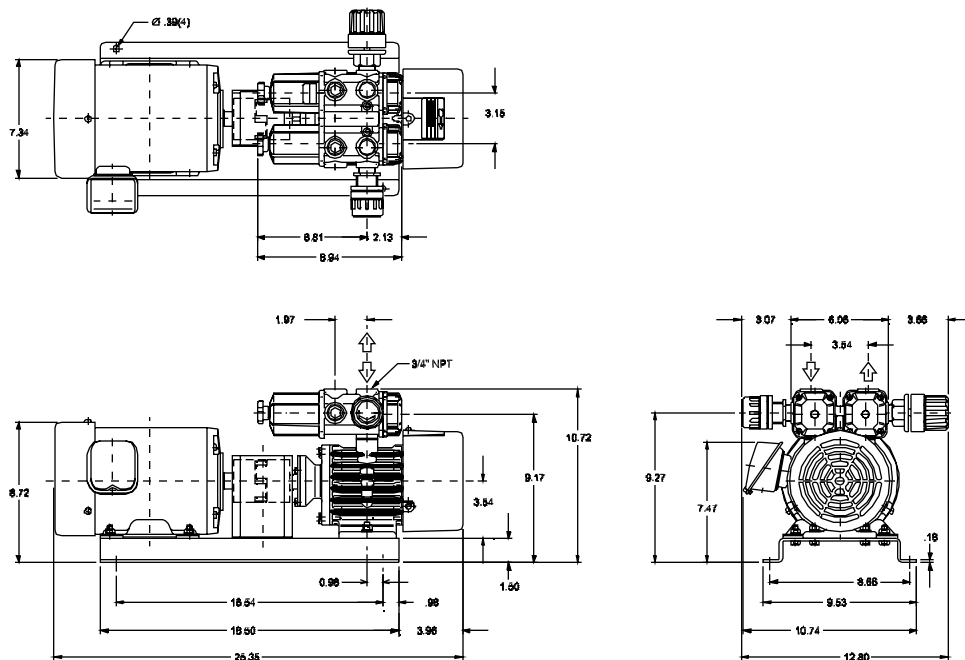
#### Pressure

PSIG



&)0

### Dimensions: (inches)



### Notes:

- a: Standard voltage for three phase pumps is 208-230/460V 3ph 60Hz.
- b: Standard voltage for single phase pump is 115/230/1ph 50/60Hz or 115V/1ph 60Hz or 230V/1ph 60Hz
- c: All pumps available in 50Hz frequency and with other voltages.

Specifications subject to change without notice.  
Please contact factory for specification updates.

### Specifications: (Vacuum)

Model Number	Motor	RPM	HP	CFM	Max. Hg"	LBS	Kgs
KRX6-SS-1501-G3	w/o Motor			24	27.5"	65	30
KRX6-SS-1501-G1	208-230/460V	1750	1.5	24	27.5"	97	44
KRX6-SS-1502-G1	115/230V	1750	1.5	24	27.5"	97	44

### Specifications: (Pressure)

Model Number	Motor	RPM	HP	CFM	Max. PSI	LBS	Kgs
KRX6-SS-1550-G3	w/o Motor			24	14psig	65	30
KRX6-SS-1550-G1	208-230/460V	1750	2.0	24	14psig	97	44
KRX6-SS-1552-G1	115/230V	1750	2.0	24	14psig	97	44