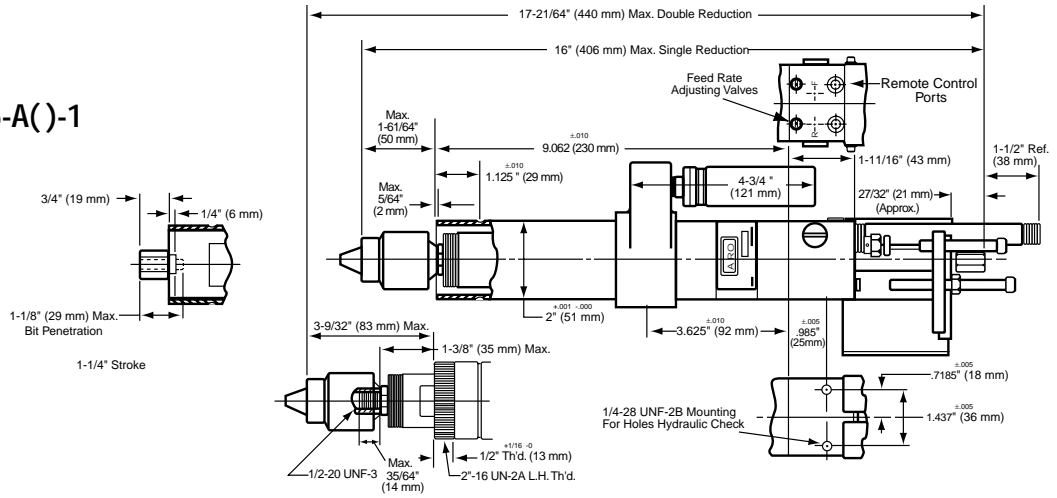


## PAR-A-MATIC DRILLS 8255-A()-1 AND 8355-A()-1

TOOL WEIGHT 7.5 LBS.

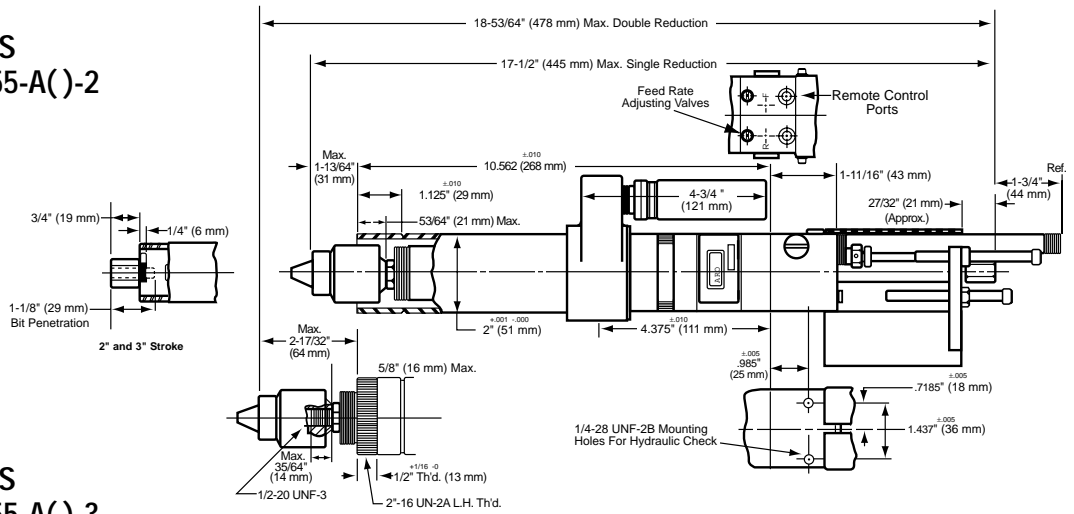
Shows built-in-collet used on  
17,000 RPM Tools.



## PAR-A-MATIC DRILLS 8255-A()-2 AND 8355-A()-2

TOOL WEIGHT 8.0 LBS.

Shows built-in-collet used on  
19,000 RPM Tools.



## PAR-A-MATIC DRILLS 8255-A()-3 AND 8355-A()-3

TOOL WEIGHT 9.5 LBS.

