



AW Company

FEM-03 Flow Monitor



Technical Specifications:

- Single or dual channel
- RS-232 communication
- Easy to read graphic display
- Monitor/Display
- Rate, flow, limit or ratio monitor
- Two programmable Form C Relay outputs
- Assignable 4-20 mA output
- Multiple display modes

What is a FEM-03 Flow Monitor?

The FEM-03 is available as a simple, compact easy to use flow monitor. A large, backlit LCD graphic display provides easy to read indication of flow rate, totals or ratios. Two Form C relay outputs can be programmed to perform limit, warning or alarm functions. Remote programming or monitoring is available via the RS-232 serial communications port. The FEM-03A model has a 4-20mA output to track data remotely. The FEM-03A2 model is equipped with 2 channels to monitor dual flows and display them separately or as a sum (as in total material use) or as a difference (as in fuel consumption) or as a ratio of A/B. This unit can also be configured to monitor and detect bi-directional flow when "A" and "B" channel (90° phase shifted) signals are available from a single flow meter.



AW Company

FEM-03 Flow Monitor

Monitor Technical Data

Power Supply:

16 VAC/500mA with supplied
110 VAC Transformer

OR

24 VDC/200mA (customer supplied)

Flow Sensor Power Supplies:

(2) @ 15 VDC/20 mA each

Frequency Inputs:

0-4 KHz, Sine, Square or Saw-tooth
2 Volts minimum amplitude,
10 Kohm impedance

4-20 mA Analog Output:

Self powered loop output into a
maximum 400 ohm load impedance.

Relay Contact Ratings:

Maximum Switch Voltage: 220V DC, 250 VAC

Maximum Switch Current: 2A

Maximum Switched Power

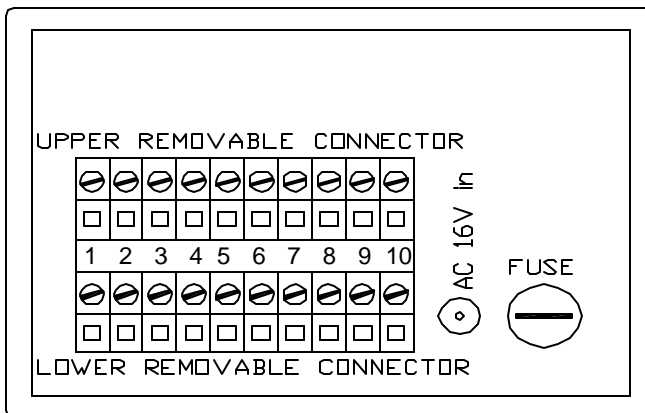
Resistive Load: DC 60W / AC 125 VA

Inductive Load: DC 30W / AC 60 VA

Rated Load

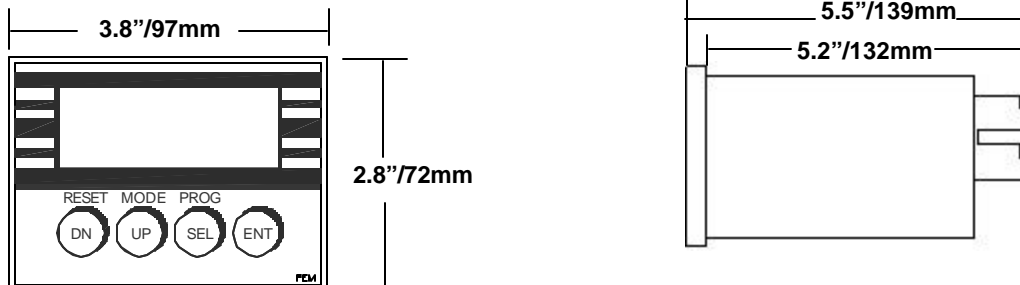
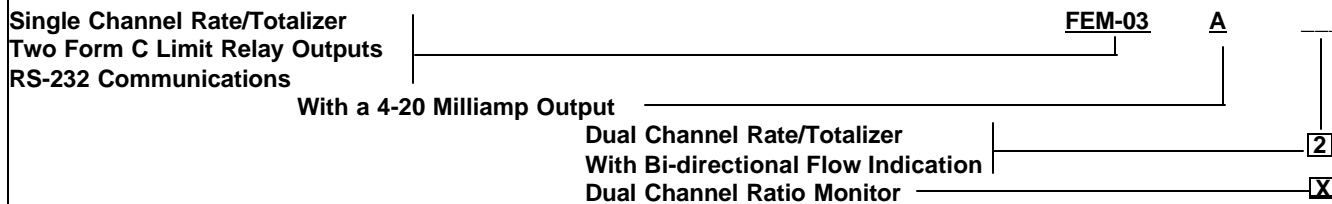
Resistive Load: DC 30V, 2A / AC 110V 0.5A

Inductive Load: DC 30V, 1A / AC 110V 0.3A



Terminal	Upper Connector	Terminal	Lower Connector
#1	+15 VDC Out	#1	+15 VDC Out
#2	DC Common	#2	DC Common
#3	Freq. A Input	#3	Freq. B Input
#4	Not Used	#4	RS232 TX Output
#5	Not Used	#5	RS232 RX Input
#6	+mA Output	#6	Reset Total
#7	-mA Output	#7	DC Common
#8	Limit 2 Common	#8	Limit 1 Common
#9	Limit 2 N.C.	#9	Limit 2 N.C.
#10	Limit 2 N.O.	#10	Limit 2 N.O.

Ordering Information:



Products may be subject to change without notice - Contact factory for current information