

AW Company

Flow Transmitters - Electronics For Instrumentation

8809 Industrial Drive • Franksville, WI 53126-9337 • Tel: 262-884-9800 • Fax: 262-884-9810

HM...TC-NS/S Turbine Flow Meters for High Pressure Applications



This turbine series has special process connections for pressures up to 4,000 bar.
It is made from stainless steel using the following materials:

- Housing: DIN 1.4571/AISI 316 Ti or DIN 1.3980 (X8NiCr17-10)
- Internal parts: DIN 1.4571/AISI 316 Ti
- Wheel: DIN 1.4460/AISI 329
- Bearings: tungsten carbide

General information like measuring principle
may be taken from the datasheet »HM series«.

For high flow rates turbines with BASF
high-pressure flanges are available.



pickup bore with discharging groove

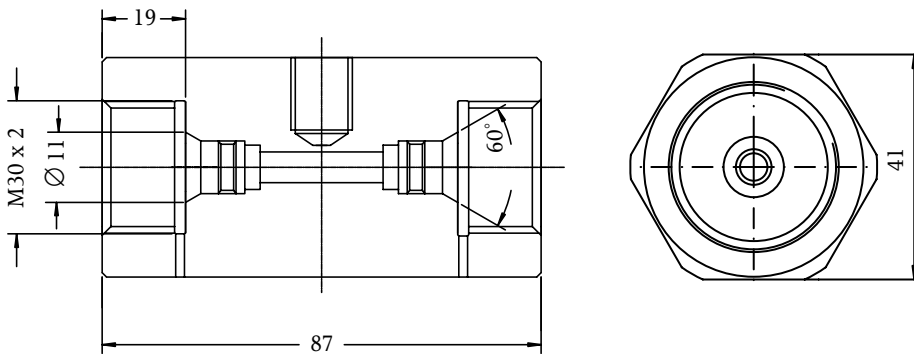
Technical Data

Type	Meas. range ltr/min	Mean K-factor ¹⁾ pulses/ltr	Frequency 0-max. Hz
HM 003/TC-NS/S	0.3 up to 1.5	32,500	1,000
HM 004/TC-NS/S	0.5 up to 4	19,000	1,250
HM 005/TC-NS/S	0.8 up to 6	17,800	1,740
HM 006/TC-NS/S	1.2 up to 10	10,300	1,750
HM 007/TC-NS/S	2 up to 20	4,800	1,800
HM 009/TC-NS/S	3.3 up to 33	1,930	2,400

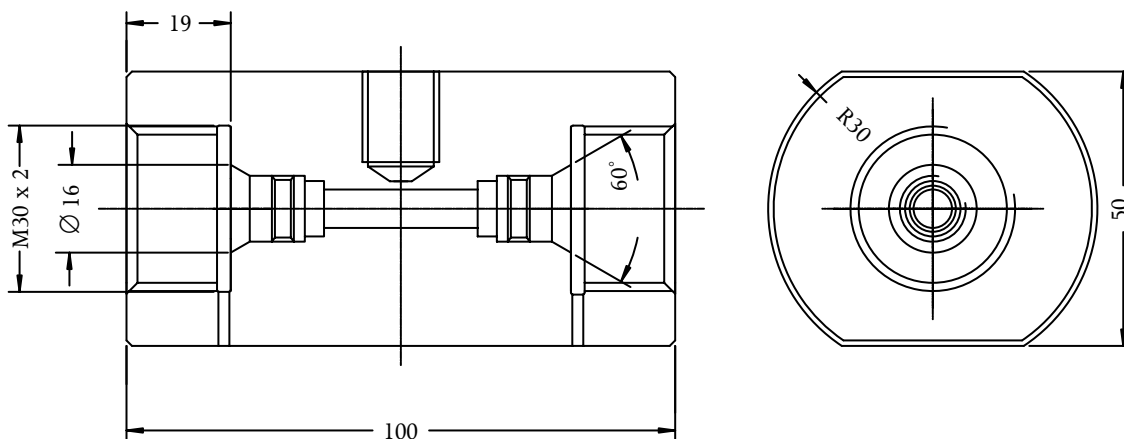
1) Average figures, the exact figures can be taken from the calibration record supplied with each flow meter.
Linearity: ± 1.0 % of actual flow, HM 009: ± 1.5 % of actual flow at 1 cSt

Dimensions (mm)

HM 003 to HM 006



HM 007 and HM 009



E-Mail: aw@awcompany.com

Internet
<http://www.awcompany.com>

AW Company

Flow Transmitters • Electronics For Instrumentation