

High Flow Cat Valve

Model Number:	Port Size	Valve Function	Body Style
CAT66P-XXX-X*	1/4"	Normally Closed	Ported
CAT77S-XXX-X*	1/4"	Normally Closed	Stacking
CAT88P-XXX-X*	1/4"	Normally Open	Ported

* Coil Voltage

012-D	12 Volt DC
120-A	120 Volt AC
024-D	24 Volt DC
000-N	No Coil
*012-L	Low Watt DC
*024-L	Low Watt DC

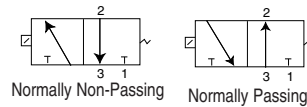
*Available on normally closed valves only.



High Flow Cat Valve

Performance Specifications

Pressure Range:	0 to 150 PSI
Temperature Rating:	0° to 122° F
Operating Medium:	Compressed Air
High-Flow Valves:	CAT66P: Cv = .2 (6.9 SCFM)
	CAT77S: Cv = .2 (6.9 SCFM)
	CAT88P: Cv = .2 (6.9 SCFM)



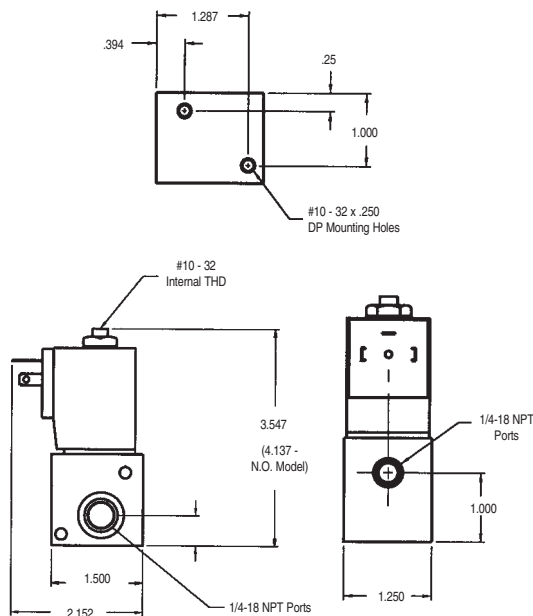
Normally Non-Passing

Normally Passing

To stack CAT Series valves, tie-rod mounting kits are required. Order kits separately from the menu below.

Dimensional Data

High Flow Cat Valve



Accessories

High-Flow Tie-Rod Kits

Stacking Tie-Rod Kits

119698-2	(2 Stations)
119698-3	(3 Stations)
119698-4	(4 Stations)
119698-5	(5 Stations)
119698-6	(6 Stations)
119698-7	(7 Stations)

Connector

CDW-30	30-mm connector with wire.
CSN-30	30-mm connector, strain relief.
CHW-30	30-mm connector, molded cable.
119690-XX	See Page 79 for Coil information.

Ordering

Cat Valve Bar Manifold

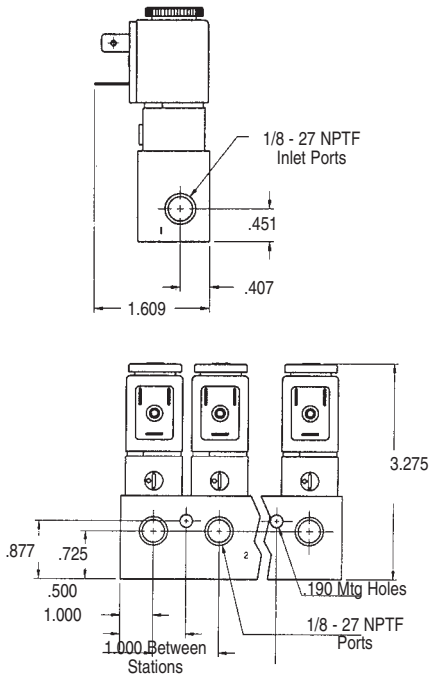
C A T X X B - X X X - X

No. of Stations		Coil Options					
02	10	Code	Voltage	Current	Code	Voltage	Current
03	11	000-N	Valve with No Coil		240-A	240 Volt	AC
04	12	005-D	5 Volt	DC	005-L	5 Volt Low Watt	DC
05	13	012-A	12 Volt	AC	012-L	12 Volt Low Watt	DC
06	14	012-D	12 Volt	DC	024-L	24 Volt Low Watt	DC
07	15	024-A	24 Volt	AC			
08	16	024-D	24 Volt	DC			
09		120-A	120 Volt	AC			
		120-D	120 Volt	DC			

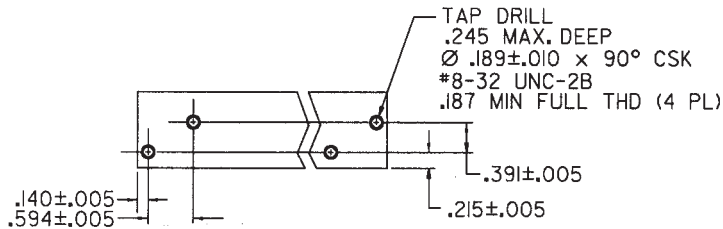
See Page 79 for Connectors and other Coil options.

Dimensional Data Dimensions given in Inches and (Millimeters)

Cat Valve Bar Manifold



Six-Station Cat Valve Bar Manifold



Miniature 3-Way and 4-Way Valves Ordering Information:

Model	Description
P114400	END PLATE FOR 3-WAY OR 4-WAY VALVE STACK
114806	MOUNTING BRACKET FOR INLINE VALVES
114807	ISOLATOR PLUG KIT FOR STACKING VALVES
CSN-MICRO	CONNECTOR, STRAIN RELIEF
P251SS-012-D	3-WAY BODY PORTED, LEAD WIRE, 12 DC
P251SS-012-E	3-WAY BODY PORTED, PLUG-IN, 12 DC
P251SS-024-D	3-WAY BODY PORTED, LEAD WIRE, 24 DC
P251SS-024-E	3-WAY BODY PORTED, PLUG-IN, 24 DC
P251SS-120-A	3-WAY BODY PORTED, LEAD WIRE, 120 AC
P251SS-120-B	3-WAY BODY PORTED, PLUG-IN, 120 AC
P261SS-012-D	3-WAY STACKING, LEAD WIRE, 12 DC
P261SS-012-E	3-WAY STACKING, PLUG-IN, 12 DC
P261SS-024-D	3-WAY STACKING, LEAD WIRE, 24 DC
P261SS-024-E	3-WAY STACKING, PLUG-IN, 24 DC
P261SS-120-A	3-WAY STACKING, LEAD WIRE, 120 AC
P261SS-120-B	3-WAY STACKING, PLUG-IN, 120 AC
P211SS-012-D	4-WAY BODY PORTED, LEAD WIRE, 12 DC
P211SS-012-E	4-WAY BODY PORTED, PLUG-IN, 12 DC
P211SS-024-D	4-WAY BODY PORTED, LEAD WIRE, 24 DC
P211SS-024-E	4-WAY BODY PORTED, PLUG-IN, 24 DC
P211SS-120-A	4-WAY BODY PORTED, LEAD WIRE, 120 AC
P211SS-120-B	4-WAY BODY PORTED, PLUG-IN, 120 AC
P211SC-012-D	4-WAY BODY PORTED W/SPEED CONTROL, LEAD WIRE, 12 DC
P211SC-012-E	4-WAY BODY PORTED W/SPEED CONTROL, PLUG-IN, 12 DC
P211SC-024-D	4-WAY BODY PORTED W/SPEED CONTROL, LEAD WIRE, 24 DC
P211SC-024-E	4-WAY BODY PORTED W/SPEED CONTROL, PLUG-IN, 24 DC
P211SC-120-A	4-WAY BODY PORTED W/SPEED CONTROL, LEAD WIRE, 120 AC
P211SC-120-B	4-WAY BODY PORTED W/SPEED CONTROL, PLUG-IN, 120 AC
P221SS-012-D	4-WAY STACKING, LEAD WIRE, 12 DC
P221SS-012-E	4-WAY STACKING, PLUG-IN, 12 DC
P221SS-024-D	4-WAY STACKING, LEAD WIRE, 24 DC
P221SS-024-E	4-WAY STACKING, PLUG-IN, 24 DC
P221SS-120-A	4-WAY STACKING, LEAD WIRE, 120 AC
P221SS-120-B	4-WAY STACKING, PLUG-IN, 120 AC
P221SC-012-D	4-WAY STACKING W/SPEED CONTROL, LEAD WIRE, 12 DC
P221SC-012-E	4-WAY STACKING W/SPEED CONTROL, PLUG-IN, 12 DC
P221SC-024-D	4-WAY STACKING W/SPEED CONTROL, LEAD WIRE, 24 DC
P221SC-024-E	4-WAY STACKING W/SPEED CONTROL, PLUG-IN, 24 DC
P221SC-120-A	4-WAY STACKING W/SPEED CONTROL, LEAD WIRE, 120 AC
P221SC-120-B	4-WAY STACKING W/SPEED CONTROL, PLUG-IN, 120 AC



3-Way Body Ported



4-Way Body Ported



4-Way Body Ported with Speed Controls



3-Way and 4-Way Stacking Valves



114806 Mounting Bracket

Kit is designed for use with both 3-Way and 4-Way valves. Kit consists of a bracket, two #6-32 screws, and two nuts.



P114400 End Plate Kit

Kit consists of two end plates, two o-rings, and two bolts. One kit required for each valve stack. Can be used for 3-Way or 4-Way valves, or any combination of valves.



CSN-MICRO Connector

Plug-in DIN type connector conforms to Industrial Micro Type C. Order separately.

114807 Isolator Plug Kit

Kit consists of two plugs. Plugs can be used on stacking valves to convert 4-ways to 3-ways, or 3-ways to 2-ways. Also can be used to provide multiple pressures to a valve stack.

2-Way Direct Acting Solenoid Valves

- Valves are direct acting normally closed for fast response and are excellent for low operating pressure applications.
- Die-cast brass body, stainless steel stem and buna-n diaphragm provide excellent durability.
- Suitable for use with water, air, lightweight oil, liquid gas and vacuum*.
- Available with 12 VDC, 24 VDC, AND 120 VAC coils.

TB011B-XXX-X

Port Size: 1/8" NPT
 Orifice: 1.2 mm, 3/64"
 Cv: 0.1, SCFM: 3
 Pressure Range: AC = 120 PSI
 DC = 100 PSI



TB022B-XXX-X

Port Size: 1/4" NPT
 Orifice: 2.3 mm, 3/32"
 Cv: 0.18, SCFM: 5
 Pressure Range: AC = 120 PSI
 DC = 100 PSI



TB034B-XXX-X

Port Size: 3/8" NPT
 Orifice: 8.0 mm, 5/16"
 Cv: 1.0, SCFM: 28
 Pressure Range: AC = 140 PSI
 DC = 100 PSI



TB035B-XXX-X

Port Size: 3/8" NPT

TB045B-XXX-X

Port Size: 1/2" NPT
 Orifice: 13 mm, 33/64"
 Cv: 4.5, SCFM: 126
 Pressure Range: AC = 120 PSI
 DC = 100 PSI



TB066B-XXX-X

Port Size: 3/4" NPT
 Orifice: 20 mm, 25/32"
 Cv: 8.6, SCFM: 240
 Pressure Range: AC = 120 PSI
 DC = 85 PSI



TB087B-XXX-X

Port Size: 1" NPT
 Orifice: 25 mm, 1"
 Cv: 11, SCFM: 308
 Pressure Range: AC = 100 PSI
 DC = 70 PSI

Technical Data

Temperature Range: 0 - 180 F
 Duty Cycle: 100 %
 Power consumption: 22 VA
 Response Time: 30 ms

Ordering Information

Replace XXX-X with voltage needed
 000-N = No Coil
 012-D = 12 VDC
 024-D = 24 VDC
 024-A = 24 VAC
 120-A = 120 VAC
 (Viton Seals Available, Consult Factory)

NOTE: All valves are shown with a CSN (1/8" and 1/4" ports) or CSN-30 (3/8" & larger) connector. Connector is to be ordered separately. See page 79 for ordering information.

* Vacuum operation only available with TB011B-X, TB022B-X and TB034B-X.