

440T/440 THO 2X4 SERIES

T-5/T-8 TROFFER

DATE:

FIXTURE TYPE:

PROJECT NAME:

CATALOG #:



Door will open when mounted on 2" Tee grid



FEATURES

2' X 4' Enclosed and gasketed T-5 & T-8 troffer
 Ideal for clean rooms or paint spray booths.
 Space saving design, only 2 1/4" deep.
 End of lamp life sensing
 ETL listed for U.S. and Canada
 Class I Div. 2, Groups A, B, C and D
 Class II Div. 2, Groups F and G
 Operates efficiently at higher temperatures than
 T-8 and T-12 lamps.
 Lumen to watt ratio of 90 plus
 Maintained lumen output of 95% over the life of lamp.
 100% ballast factor



T-8 enclosed and gasketed
 Contact factory for T-8 dimensions

SPECIFICATIONS

- GENERAL:** Standard fixture is T-5HO watt, utilizing new energy efficient T-5 technology, with electronic controlled start. A 28-watt is also available.
- HOUSING:** Sturdy 20 gauge steel construction.
 High reflective white finish with microbolic insert for increased light output.
 90 degree self-contained hinge system (reduces overspray and dust)
- LENS:** 3/16" Prismatic glass lens to reduce glare and maintain light output.
- MOUNTING:** See Mounting Methods on pg. 25.
 Totally sealed and gasketed fixture
 Push lock ballast taps with ease of input wiring hookup or optional extended input leads.
- ELECTRICAL:** T-5 lamp technologies run at lower operating costs, with less heat buildup and have more light output over time than comparable VHO units.
- LISTINGS:** ETL listed U.S. and Canada.
 Listed for hazardous locations.

440T/440THO 2X4 SERIES

T-5/T-8 TROFFER

440T/440THO

Four Lamp Four Ft.
Recessed Front
Access Fixture

Watts	Description	Hub Size (Inches)	Voltage	Catalog Number
28	E.S., T5 Electronic	1/2 NPT	120V/60HZ	390440120T-4423
	F28T5, Miniature. Bi-Pin, 270 mA, 48"	1/2 NPT	277V/60HZ	390440277T-4424
54	E.S., T5 HO Electronic	1/2 NPT	120V/60HZ	390440120THO-4157
	F54T5, Miniature. Bi-Pin, 270 mA, 48" H.O.	1/2 NPT	277V/60HZ	390440277THO-3792

(Multiple voltages available, consult factory)

LAMPS SOLD SEPARATELY

See pg. 70 for lamp selection

INSTALLATION INSTRUCTIONS

Mounting Methods

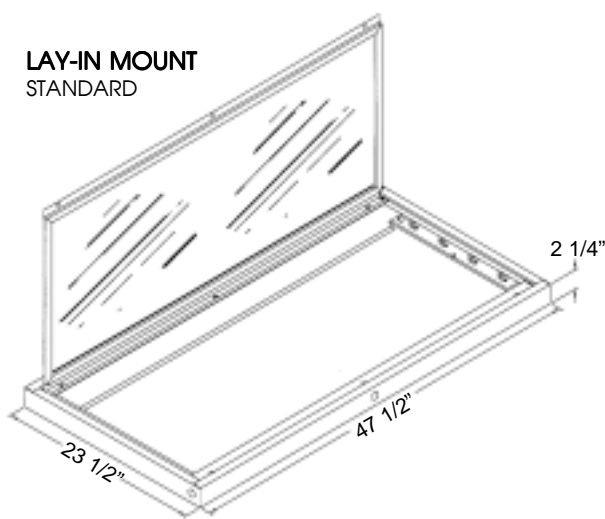
Ceiling Lay-In for 2' X 4' Grid (standard)

Surface Mount: Kit P/N 3330

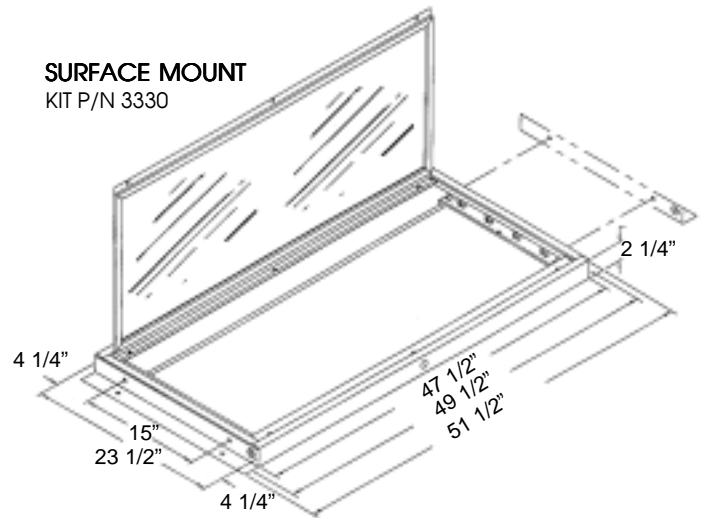
Recessed Flange Mount: Kit P/N 3331

Box Panel Mount: Kit P/N 3332

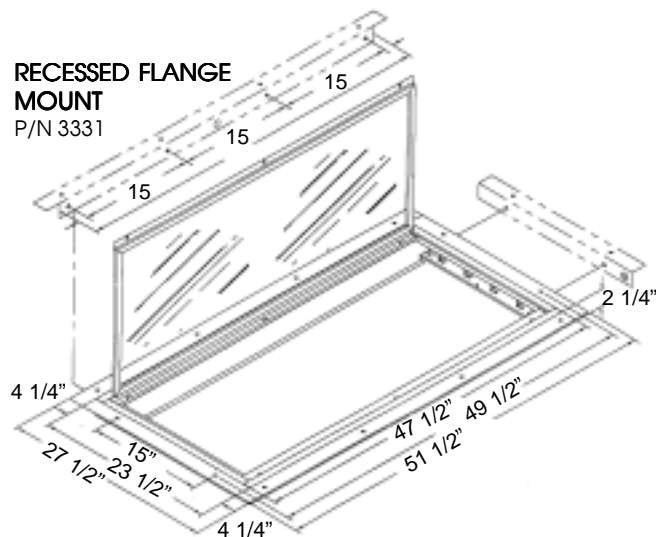
LAY-IN MOUNT
STANDARD



SURFACE MOUNT
KIT P/N 3330



RECESSED FLANGE MOUNT
P/N 3331



BOX PANEL MOUNT
P/N 3332

