



Pumping Solutions

High Performance Industrial Circulation and Feed Pumps



PROVEN QUALITY. LEADING TECHNOLOGY.



Setting the Standard!

When you use a Graco pump, you're looking forward to years of reliable service from the leader in the industry. From the proven design of our diaphragm and bellows pumps, to the new line of pneumatic, electric and hydraulic pumps, Graco is setting the standard in pumping technology .

Our new NXT air motors offer increased power, reduced icing, low noise and the introduction of DataTrak, the first integrated pump monitoring system in the market.

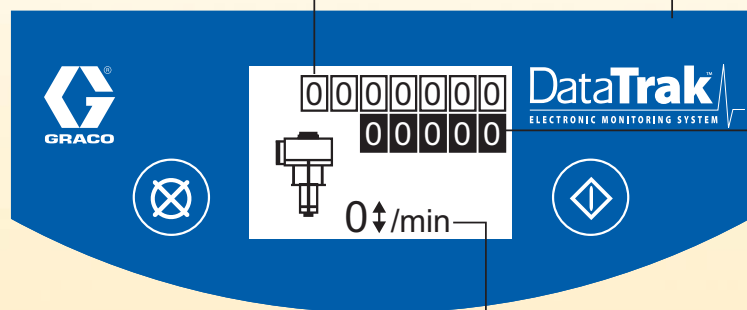
Discover the versatility and reliability of using Graco pumps for all of your finishing applications!

Monitor and protect your pump with DataTrak, the market's first integrated local monitoring system.

- Easy to set runaway protection, where you set the cycle rate limit.
- Pump diagnostics help advise when to maintain the pump
- Utilize the resettable batch counter to track material usage or maintenance schedule



Total Cycle Counter
(Not resettable)



Resettable Batch Counter

Cycle and Flow Rate Indicator

The First Smart Air Motor on the Market!

Modular Valve

- Detented air valve
- External access for quick and easy service
- Complete valve assembly can be replaced online to minimize downtime
- Adjustable de-ice control

Optional DataTrak™

- Provides runaway protection
- Monitors pump performance
- Offers pump diagnostics

Body Armor

Durable polymer that won't rust or dent

Air Motor

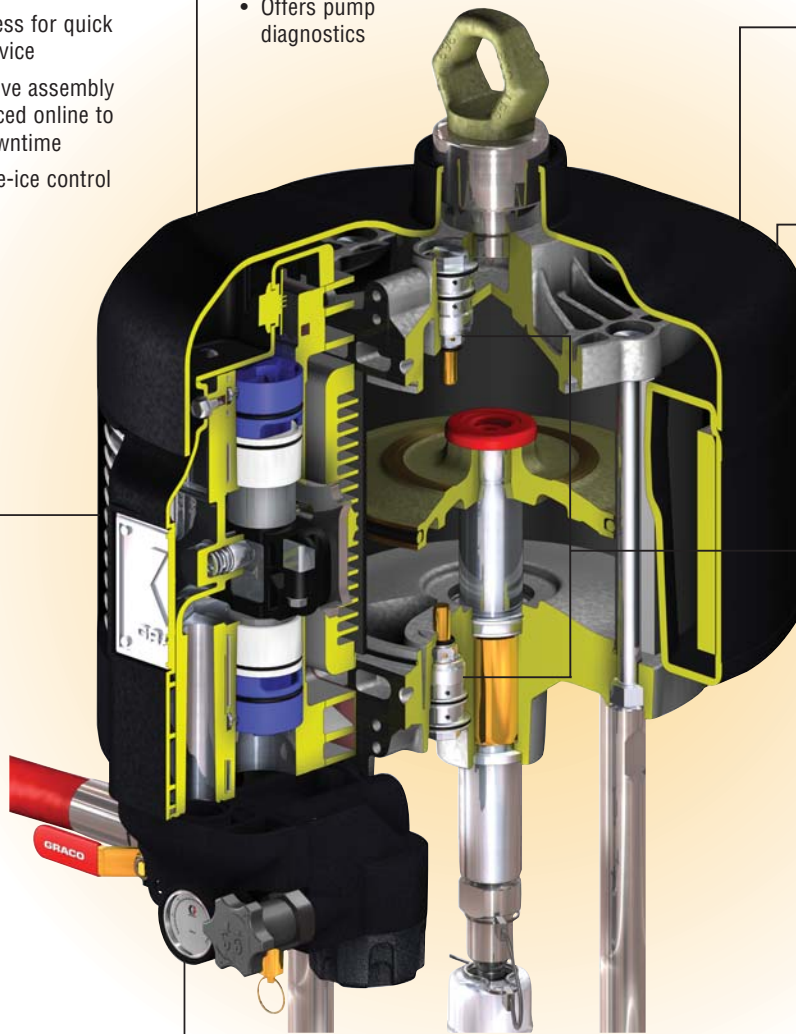
Available in de-ice, low noise and remote exhaust models

Pilot Valve

- Proven, reliable design
- Externally mounted for easy repair

Integrated Air Controls

- Compact and modular
- Easy turn fluid pressure regulator knob – push in to lock and save pressure settings
- Built-in air filtration
- 3/4" NPT air inlet



A Pump for Every Application

Name	Model	Ratio	Fluid Flow @ 60 cpm gpm (lpm)*	Max Fluid Pressure psi (bar)	Max Air/ Hydraulic Pressure psi (bar)	Motor Size Diameter in (cm)	Displacement cc/cycle
DIAPHRAGM PUMPS							
Triton	308	1:1	2.4 (9.1)	115 (8)	115 (8)	N/A	160
Triton	3D 150	3:1	2.4 (9.1)	300 (20.7)	100 (6.9)	N/A	150
Triton	3D 350	3:1	6 (22.8)	260 (18)	88 (6.1)	N/A	350

BELLOWS SUPPLY PUMPS

Glutton	CS/SS	4:1	5.6 (21.2)	400 (27.6)	100 (6.9)	7.25 (18.4)	355
Glutton	CS/SS	12:1	2 (7.6)	1200 (82.8)	100 (6.9)	7.25 (18.4)	128
Orion	SS	15:1	2.7 (10.3)	1740 (120)	100 (6.9)	6.3 (16)	170
Glutton	CS/SS	25:1	0.9 (3.5)	2500 (172.4)	100 (6.9)	7.25 (18.4)	58
Orion	SS	28:1	1.6 (6.1)	3250 (224.1)	100 (6.9)	6.3 (16)	100

PNEUMATIC 2 BALL SUPPLY PUMPS - CS

Dura-Flo	6C 1000	6:1	17.4 (65.8)	620 (42.7)	100 (6.9)	7.5 (19.1)	1100
Xtreme	12C 580	12:1	9.2 (34.8)	1190 (82.1)	100 (6.9)	7.5 (19.1)	580
Xtreme	15C 430	15:1	6.9 (26.1)	1580 (109)	100 (6.9)	7.5 (19.1)	430
Xtreme	16C 290	16:1	4.6 (17.5)	1520 (104.8)	100 (6.9)	6 (15.2)	290
Xtreme	21C 220	21:1	3.4 (12.9)	2030 (140.0)	100 (6.9)	6 (15.2)	220
Dura-Flo	23C 580	23:1	9.2 (34.8)	2270 (156.5)	100 (6.9)	10.375 (26.4)	580
Xtreme	24C 180	24:1	2.9 (11.0)	2430 (167.5)	100 (6.9)	6 (15.2)	180
Xtreme	25C 290	25:1	4.6 (17.5)	2380 (164.1)	100 (6.9)	7.5 (19.1)	290
Xtreme	30C 220	30:1	3.4 (12.9)	3170 (218.6)	100 (6.9)	7.5 (19.1)	220
Xtreme	31C 145	31:1	2.3 (8.7)	3040 (209.6)	100 (6.9)	6 (15.2)	145
Dura-Flo	32C 425	32:1	6.9 (26.1)	3030 (208.9)	100 (6.9)	10.375 (26.4)	430

PNEUMATIC 2 BALL SUPPLY PUMP - SS

Dura-Flo	6S1000	6:1	17.4 (65.8)	620 (42.7)	100 (6.9)	7.5 (19.1)	1100
Dura-Flo	10C1000	11:1	17.4 (65.8)	1190 (82.0)	100 (6.9)	10.375 (26.4)	1100
Dura-Flo	12S580	12:1	9.2 (34.8)	1190 (82.1)	100 (6.9)	7.5 (19.1)	580
Dura-Flo	15S430	15:1	6.9 (26.1)	1580 (109)	100 (6.9)	7.5 (19.1)	430
Dura-Flo	16S290	16:1	4.6 (17.5)	1520 (104.8)	100 (6.9)	6 (15.2)	290
Dura-Flo	21S220	21:1	3.4 (12.9)	2030 (140.0)	100 (6.9)	6 (15.2)	220
Dura-Flo	23S580	23:1	9.2 (34.8)	2270 (156.5)	100 (6.9)	10.375 (26.4)	580
Dura-Flo	24S180	24:1	2.9 (11.0)	2430 (167.5)	100 (6.9)	6 (15.2)	180
Dura-Flo	25S290	25:1	4.6 (17.5)	2380 (164.1)	100 (6.9)	7.5 (19.1)	290
Dura-Flo	30S220	30:1	3.4 (12.9)	3170 (218.6)	100 (6.9)	7.5 (19.1)	220
Dura-Flo	31S145	31:1	2.3 (8.8)	3040 (209.6)	100 (6.9)	6 (15.2)	145
Dura-Flo	32S430	32:1	6.9 (26.1)	3030 (208.9)	100 (6.9)	10.375 (26.4)	430
Dura-Flo	40S180	40:1	2.9 (11.0)	3800 (262.0)	100 (6.9)	7.5 (19.1)	180
Dura-Flo	45S290	45:1	4.6 (17.5)	4550 (313.7)	100 (6.9)	10.375 (26.4)	290
Dura-Flo	46S145	46:1	2.3 (8.8)	4750 (327.5)	100 (6.9)	7.5 (19.1)	145

Name	Model	Ratio	Fluid Flow @ 60 cpm gpm (lpm)*	Max Fluid Pressure psi (bar)	Max Air/ Hydraulic Pressure psi (bar)	Motor Size Diameter in (cm)	Displacement cc/cycle
PNEUMATIC 2 BALL SUPPLY PUMPS - CS AND SS							
Monark		1.5:1	6.8 (25.8)	180 (12.5)	120 (8.3)	3 (7.62)	425
Monark		2:1	5.4 (20.5)	200 (13.8)	100 (6.9)	3 (7.6)	338
President		3:1	10 (37.9)	360 (24.9)	120 (8.3)	4.25 (10.8)	625
President		4:1	8 (30.3)	400 (27.6)	100 (6.9)	4.25 (10.8)	500
Monark		5:1	2.5 (9.5)	900 (62.1)	180 (12.5)	3 (7.6)	156
President		10:1	3 (11.4)	1800 (124.2)	180 (12.5)	7.5 (19.1)	188
President		15:1	1.8 (6.9)	1800 (124.2)	120 (8.3)	4.25 (10.8)	113
Monark		15:1	0.7 (2.7)	2700 (186.2)	180 (12.5)	3 (7.62)	44
Monark		23:1	0.4 (1.6)	3450 (237.9)	150 (10.4)	3 (7.6)	25
President		30:1	1 (3.8)	3600 (248.3)	120 (8.3)	4.25 (10.8)	63
President		46:1	0.58 (2.2)	4600 (317.2)	100 (6.9)	4.25 (10.8)	36

HYDRAULIC 2 BALL SUPPLY PUMPS

Viscount I	1000	N/A	3 (11.4)	1000 (69)	1000 (69)	Viscount I	189
Viscount II	1000	N/A	15 (56.8)	1000 (69)	1500 (103.5)	Viscount II	945
Viscount II	2000	N/A	9.2 (34.9)	2000 (137.9)	1500 (103.5)	Viscount II	578
Viscount II	2700	N/A	6.8 (25.8)	2600 (179.3)	1500 (103.5)	Viscount II	431
Viscount I	3000	N/A	1 (3.8)	3000 (206.9)	1000 (69)	Viscount I	62

PNEUMATIC 4 BALL CIRCULATION PUMPS - CS AND SS

High Flo	2_2000	2:1	31.9 (119.3)	200 (13.8)	100 (6.9)	6 (15.2)	2015
President	3:1	3:1	9.7 (36.9)	500 (34.5)	166 (11.5)	4.25 (10.8)	615
High Flo	3_1500	3:1	23.2 (87.9)	290 (20)	100 (6.9)	6 (15.2)	1464
High Flo	3.3_4000	3.3:1	63 (238.6)	325 (22.5)	100 (6.9)	–	3977
High Flo	3.5_2000	3.5:1	31.5 (119.3)	340 (23.5)	100 (6.9)	7.5 (19.1)	2015
High Flo	4_1000	4:1	16.9 (64)	400 (27.6)	100 (6.9)	6 (15.2)	1066
High Flo	4.5_1500	4.5	23.2 (87.9)	460 (31.8)	100 (6.9)	7.5 (19.1)	1464
High Flo	4.5_3000	4.4:1	47.3 (179)	450 (31.1)	100 (6.9)	–	2984
High Flo	6_2000	6:1	31.5 (119.3)	500 (34.5)	78 (5.4)	–	1985

HYDRAULIC 4 BALL CIRCULATION PUMPS

Viscount 1+	225	N/A	19.5 (73.9)	225 (15.6)	100 (6.9)	Viscount 1+	1233
Viscount 1+	300	N/A	14.2 (53.9)	300 (20.7)	1500 (103.5)	Viscount 1+	898
Viscount 1+	450	N/A	9.7 (36.9)	450 (31.1)	1500 (103.5)	Viscount 1+	615
Viscount II	300	N/A	63 (238.6)	300 (20.7)	1500 (103.5)	Viscount II	3927
Viscount II	350	N/A	31.5 (119.1)	350 (24.2)	940 (64.8)	Viscount II	1960
Viscount II	400	N/A	47.3 (179)	400 (27.6)	1500 (103.5)	Viscount II	2946
Viscount II	600	N/A	31.5 (119.1)	500 (34.5)	1500 (103.5)	Viscount II	1960

ELECTRIC CIRCULATION PUMPS

E-Flo Plus	4000	N/A	68 (256)	250 (17.2)	N/A	5 HP	2121 x 2
E-Flo Plus	3000	N/A	48 (184)	330 (23)	N/A	5 HP	1541 x 2
E-Flo Plus	2000	N/A	36 (136)	460 (32)	N/A	5 HP	1122 x 2
Imperial™		N/A	50 (189.3)**	300 (20.7)**	N/A	various	N/A

*Reference manual for recommended operating conditions

**Flow rate and pressure is dependent on specific gravity of fluid and number of pump stages

Pneumatic Pumps

Supply Pumps

Graco's new Xtreme and Dura-Flo pumps provide uniform and easy to control delivery. Ideal for supply applications, these durable pumps feature an NXT motor and can now achieve an even higher range of pressures without compromising flow.

Dura-Flo™ and Xtreme® Pumps

Durable pumps with long-life packing design

- Positive displacement, 2 ball piston design provides uniform and easily controlled delivery
- High pump pressure and flow performance to handle a broad range of paints and coatings
- Improved serviceability with fewer parts, faster repairs and lower ownership costs



Dura-Flo Lower

Quick-Disconnect Coupler

Reduces maintenance time

Manually Adjustable Wet Cup

Extends packing life by tightening packing nut

Cartridge Packings

Easily removable cartridge holds packings and allows for quick repairs

Stainless Steel Chrome Rod

Process provides over 3 times the life of chrome SST rods

High-Volume Piston

Improves flow for high viscosity coatings



Pneumatic Piston Pumps

High-Flo® Pumps

Midrange High-Flo and High-Flo Plus pumps provide increased performance and a lower cost of ownership.

- Positive displacement, 4 ball piston design provides large output per cycle for reduced pump wear
- Small displacement rod design reduces sealing area to minimize throat leakage
- Gentle pumping action produces a low shear output for shear sensitive materials
- Stainless steel and Severe Duty carbon steel models available to handle a variety of fluids



High-Flo Lower

Dura-Flo Connection

Offers quick access for reduced maintenance time

Cartridge Style Throat Packings

Enables online repair and reduces downtime

Versatile Pump Lower

Provide the ability to change the volume of output by switching to one of 3 piston and cylinder sizes

Standard Chromex and Severe Duty Maxlife™ rod options

Improves life of piston packings

Optional Integrated Air Control

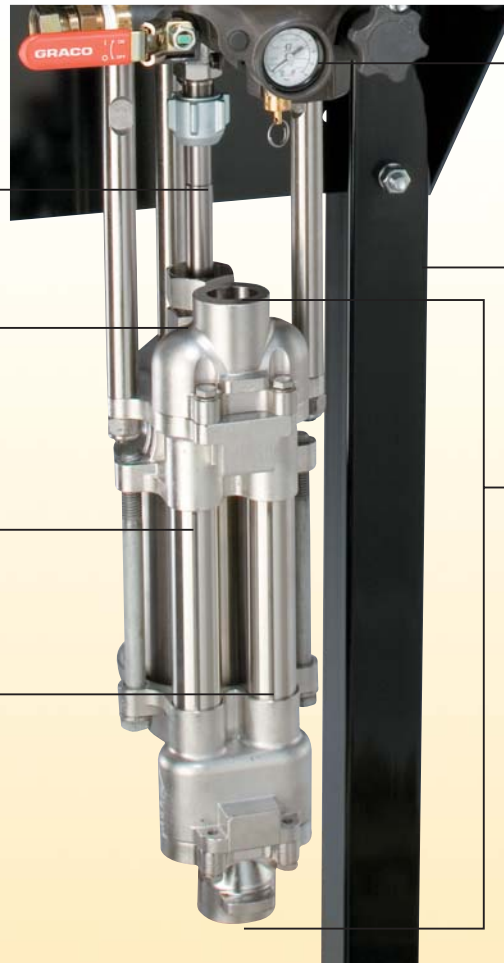
Optional Floor Stand

Inlet/Outlet Fittings

Available in NPT, BSPP, and Tri-Clamp connections

Optional Maxlife Lower

Improves handling of abrasive materials and extends the life of the rod, cylinder and wear parts



Hydraulic Pumps



Viscount I+



Viscount II

Viscount Pumps

The field proven energy efficient Viscount pumps provide reliable, quiet, ice-free performance and are up to three times more energy efficient than comparable compressed air systems.

Viscount I

Low flow 2 ball piston pump for supply applications

- Small, compact design
- Up to 3,000 psi
- Carbon steel and stainless steel pumps available

Viscount I+

Low to medium flow 4 ball circulation piston pumps

- Utilizes midrange High-Flo pump lowers
- Carbon steel and stainless steel pumps available
- Flow up to 24 gpm

Viscount II

Ideal for large circulation and higher pressure supply applications

- 2 ball piston pumps available with Xtreme and Dura-Flo pump lowers
- 4 ball piston pumps available with large High-Flo lowers
- Pumps available in carbon steel and stainless steel

Electric Piston Pumps

E-Flo™ Plus

Get the benefits of a piston pump with the energy efficiency of an electric drive unit!

- Dual midrange High-Flo stainless steel lowers operating out of phase for lower pressure variation
- Ability for online maintenance simplifies repair and reduces downtime
- Achieves up to 22.6 gpm at 20 cpm. For higher pressure requirements, up to 460 psi models available
- Includes a Graco programmed VFD for less pressure variation, as well as, integrated overpressure protection and remote monitoring of performance via computer or PLC
- Pneumatically controlled BPR (back pressure regulator) remotely reduces fluid pressure during off-production operation and extends material integrity and realize further energy cost savings



5 HP (3.7 kw) Motor

Reliable inverter duty motor

Durable 3 Gear Reduction Drive System

Provides years of reliable service

Reversible 2" Tri-Clamp Fluid Inlet/Outlet

Provides versatility during installation

Optional Integrated Pressure Transducer

Monitors pressure and protects the pump

Cartridge Style Throat Packings

Reduce downtime by making online repair easier

Maxlife Lowers

Extends the life of the rod, cylinder and wear parts in both abrasive and non-abrasive materials

Optional Floor Stand



Pneumatic Pumps



Diaphragm Pump



Glutton



Triton

Diaphragm and Bellows Pumps

A great alternative to standard piston pump technology with conventional throat packings.

Air Operated Double Diaphragm

Ideal for unloading above or below ground tanks of any size

- High flow - 100 gpm (378 lpm) in a compact, portable size
- High-reliability closed center air valve that is online serviceable
- Epoxy-coated air section for tough environmental conditions
- Fluid pressure to 120 psi (8.4 bar, 0.84 MPa)
- Lube-free operation

Glutton

The Glutton's bellows seal design provides low maintenance with no seals exposed to the atmosphere

- Bellows seal design eliminates conventional throat seals, providing high reliability for moisture-sensitive materials
- Reversible outlet manifold simplifies plumbing
- Vertical ball check design assures uniform ball wear and long life
- Bellows seal protects piston rod and piston seal from fluid and abrasive particles

Triton

Quiet low shear, low pulsation pump delivers superior finish quality!

- Low pulsation output provides a high quality finish, consistent pattern and film on finished parts
- Low shear pumping action for minimal material degradation on circulating paints and coatings
- Diaphragm seal eliminates conventional throat packings and reduces maintenance costs

Choose Graco quality parts and accessories to complete your system

Graco offers a complete line of accessories to maximize the performance of your paint system whether its a simple one gun spray package or a large circulation system.

Agitators

Graco offers a wide range of agitators including the Twistork agitator with patented helix shaped mixing blades and the LSA (low shear agitators. Select from air electric, or hydraulic driven units. Whether its for a 5 gallon pail or a 300 gallon mix tank, Graco agitators will help maintain your paint or coating integrity..

Fluid Filters

Protect the components in your system against premature wear by selecting Graco fluid filters. Available in sizes up to 30 gpm (114 lpm) and pressures up to 7,400 psi (510 bar) and screen mesh sizes up to 200, Graco has a fluid filter for your application.

Surge Suppressors

Reduce pulsation in your system and achieve uniform spray patterns by selecting from a wide variety of Graco surge tanks.

Fluid Pressure Regulators and Back Pressure Regulators

Pressure control is essential for a balanced fluid system. Graco offers a wide selection of fluid pressure regulators and back pressure regulators to optimize system performance.

Fluid Heaters

Graco's Viscount heaters provide consistent control of fluid viscosity by maintaining the optimal temperatures. The stainless steel design resists corrosion and is compatible with most materials.

Air Controls

Maximize performance of your system, by selecting Graco air supply accessories. Properly sized air filters, regulators, lubricators, and runaway valves, will keep your equipment in excellent working condition and reduce down time and repair costs.



ABOUT GRACO

PROVEN QUALITY. LEADING TECHNOLOGY.

Founded in 1926, Graco is a world leader in fluid handling systems and components. Graco products move, measure, control, dispense and apply a wide range of fluids and viscous materials used in vehicle lubrication, commercial and industrial settings.

The company's success is based on its unwavering commitment to technical excellence, world-class manufacturing and unparalleled customer service. Working closely with qualified distributors, Graco offers systems, products and technology that set the quality standard in a wide range of fluid handling solutions. Graco provides equipment for spray finishing, protective coating, paint circulation, lubrication, and dispensing sealants and adhesives, along with power application equipment for the contractor industry. Graco's ongoing investment in fluid management and control will continue to provide innovative solutions to a diverse global market.

GRACO HEADQUARTERS

AMERICAS

MAILING ADDRESS

P.O. Box 1441
Minneapolis, MN 55440-1441
Tel: 612.623.6000
Fax: 612.623.6777

AMERICAS

MINNESOTA

Worldwide Headquarters
Graco Inc.
88-11th Avenue N.E.
Minneapolis, MN 55413

EUROPE

BELGIUM

European Headquarters
Graco N.V.
Industrieterrein-Oude Bunders
Slakweidestraat 31
3630 Maasmechelen,
Belgium
Tel: 32.89.770.700
Fax: 32.89.770.777

ASIA PACIFIC

JAPAN

Graco K.K.
1-27-12 Hayabuchi
Tsuzuki-ku
Yokohama City, Japan 2240025
Tel: 81.45.593.7300
Fax: 81.45.593.7301

ASIA PACIFIC

CHINA

Graco Hong Kong Ltd.
Representative Office
Room 118 1st Floor
No.2 Xin Yuan Building
No.509 Cao Bao Road
Shanghai, P.R. China 200233
Tel: 86.21.649.50088
Fax: 86.21.649.50077

ASIA PACIFIC

KOREA

Graco Korea Inc.
Choheung Bank Building
4th Floor #1599
Gwanyang-Dong, Dongan-Ku,
Anyang-Si, Gyunggi-Do,
Korea 431-060
Tel: 82(Korea).31.476.9400
Fax: 82(Korea).31.476.9801

SALES/DISTRIBUTION/SERVICE

North America
Industrial Customer Service
800-328-0211
FAX 877-340-6427

GRACO INC.
P.O. Box 1441
Minneapolis, MN 55440-1441

Call today for product information or to request a demonstration.

1.877.84GRACO (1-877-844-7226) or visit us at www.graco.com.

Graco Inc. is registered to I.S. EN ISO 9001