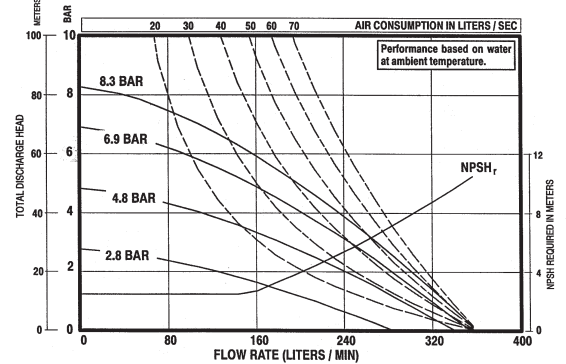
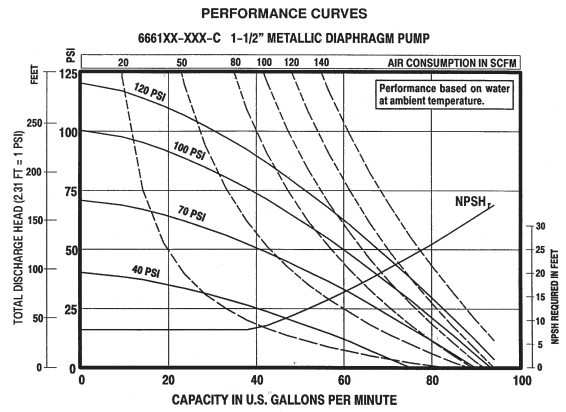
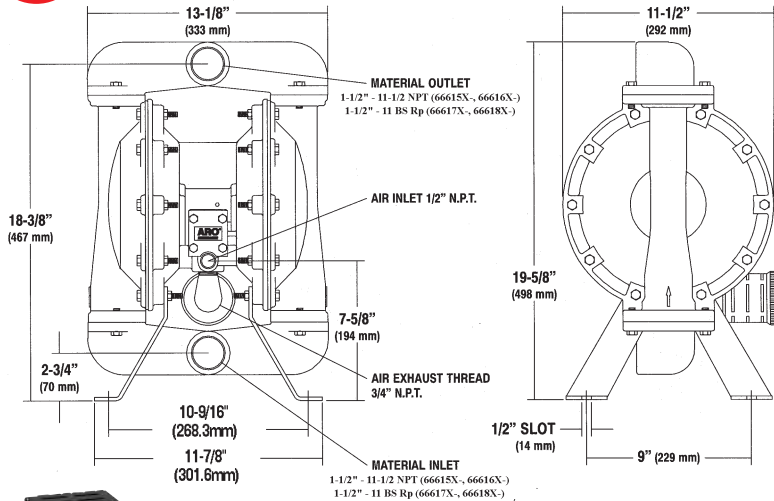


Performance Specifications

RATIO:	1:1
MAXIMUM G.P.M. (LPM):	100 (379)
DISPLACEMENT GALLONS (Liters) PER CYCLE:	.73 (2.76)
AIR INLET:	1/2" NPTF (f)
FLUID INLET:	1-1/2" NPTF (f) or 1-1/2" BSP (f)
FLUID OUTLET:	1-1/2" NPTF (f) or 1-1/2" BSP (f)
MAX. OPERATING PRESSURE PSI (bar):	120 (8.3)
SUSPENDED SOLIDS MAX. DIA. IN. (mm):	1/4-inch (6.4)
WEIGHT - LBS. (Kg):	51 (23.1) Aluminum 84 (38.1) Stainless Steel 79 (35.8) Cast Iron
	For Cast Iron center section models, add 23 lbs. (10.4 kg.)
MAX. DRY SUCTION LIFT:	19 ft. (Rubber fitted)



Dimensional Data



Screened Inlet Kits Available. See Page 34

Accessories

Recommended Filter/Regulator
(See Page 38)

Filter / Regulator: P29241-610

For complete airline connection kit, see page 34, item "B".
Pulsation Dampener, see page 25.

For Diaphragm Pump Accessories see pages 34-36.



P29241-610

For recommended key models, refer to the ARO diaphragm pump price book (Form 2240-2). If the specific model you seek is not in the price book, consult the factory for further selection assistance.

Ordering

Best Selling Models | 666150-322-C, 666150-344-C, 666152-3EB-C, 666151-344-C, 666161-244-C

Base Model	Air Motor	Wetted Parts	Check Valve Seats	Ball Check/Diaphragm	C
6 6 6 1	X X		X X X		C
 1-1/2" Pump	 5 Aluminum 6 Cast Iron 7 BSP Aluminum 8 BSP Cast Iron	 0 Aluminum 1 316 Stainless Steel 2 Cast Iron A Alum w/SS Hardware B 316 SS w/SS Hardware C Cast Iron w/SS Hardware	 2 316 Stainless Steel 3 Polypropylene 4 Kynar (PVDF) 8 400 SS (Hardened)	 22 Nitrile/Nitrile 33 Viton/Viton 44 Teflon/Teflon EB Santoprene/Santoprene A4 Stainless/Teflon	

For viscous materials, stainless steel ball & checks available

