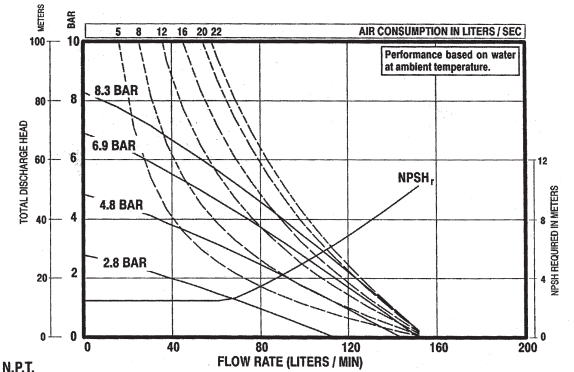
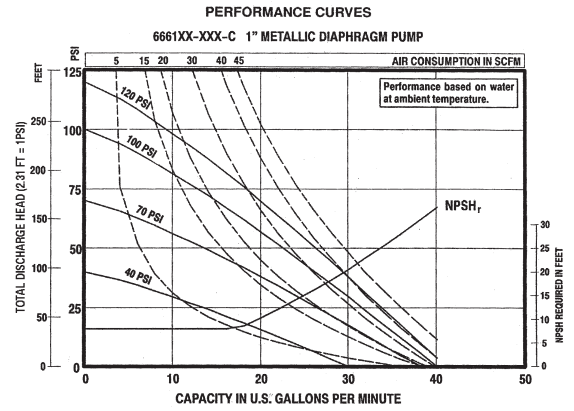
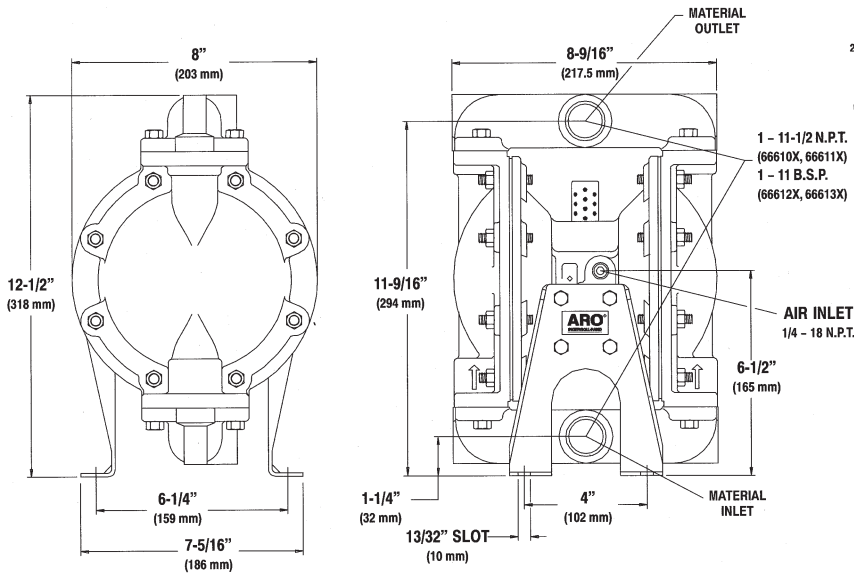


# Performance Specifications

RATIO:	1:1
MAXIMUM G.P.M. (LPM):	35 (132)
DISPLACEMENT GALLONS (Liters) PER CYCLE:	.16 (.60)
AIR INLET:	1/4" NPTF (f)
FLUID INLET:	1" NPTF (f) or 1" BSP (f)
FLUID OUTLET:	1" NPTF (f) or 1" BSP (f)
MAX. OPERATING PRESSURE PSI (bar):	120 (8.3)
SUSPENDED SOLIDS MAX. DIA. IN. (mm):	1/8-inch (3.2)
WEIGHT - LBS. (Kg):	19 (8.6) Aluminum 36 (16.3) Stainless Steel 31 (14.1) Cast Iron For Cast Iron center section models, add 8.5 lbs. (3.81 kg.)
MAX. DRY SUCTION LIFT:	20 ft. (Rubber fitted)

# Dimensional Data



# Accessories

**Recommended Filter/Regulator**  
(See Page 38)

**Filter / Regulator: P29221-610**

For complete airline connection kit, see page 34, item "B".  
Pulsation Dampener, see page 24.

For Diaphragm Pump Accessories see pages 34-36.

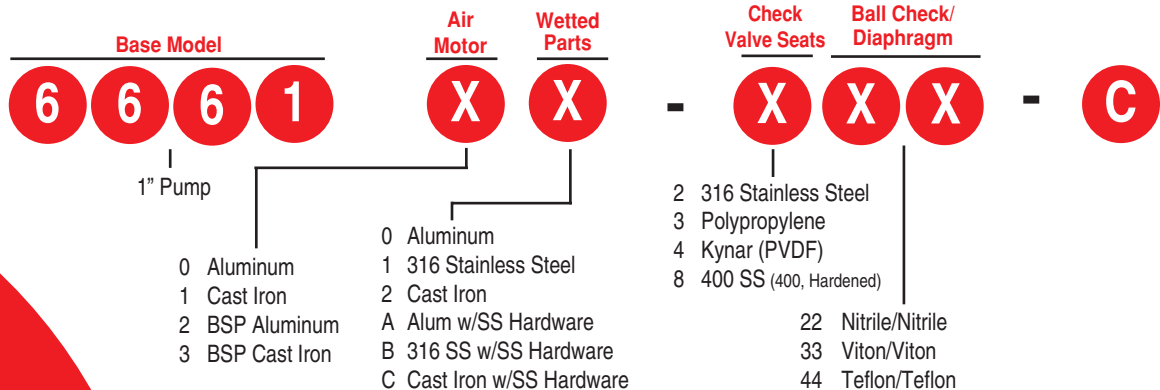


P29221-610

For recommended key models, refer to the ARO diaphragm pump price book (Form 2240-2). If the specific model you seek is not in the price book, consult the factory for further selection assistance.

# Ordering

Best Selling Models | 666100-322-C, 666101-344-C, 666111-244-C, 666101-3EB-C, 666100-344-C, 666112-8EB-C



For abrasive applications, Aro's 1" cast iron pump is the model for you!

