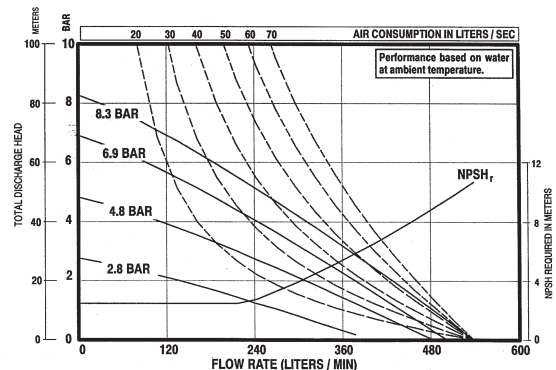
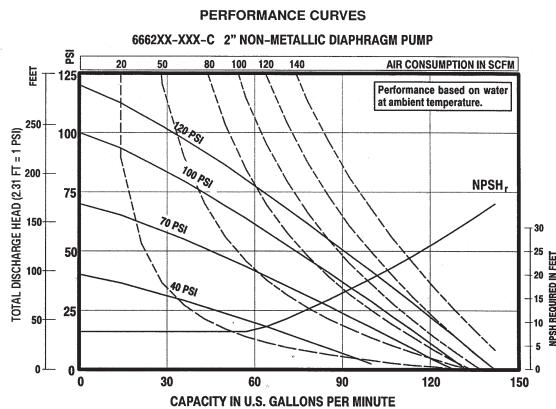
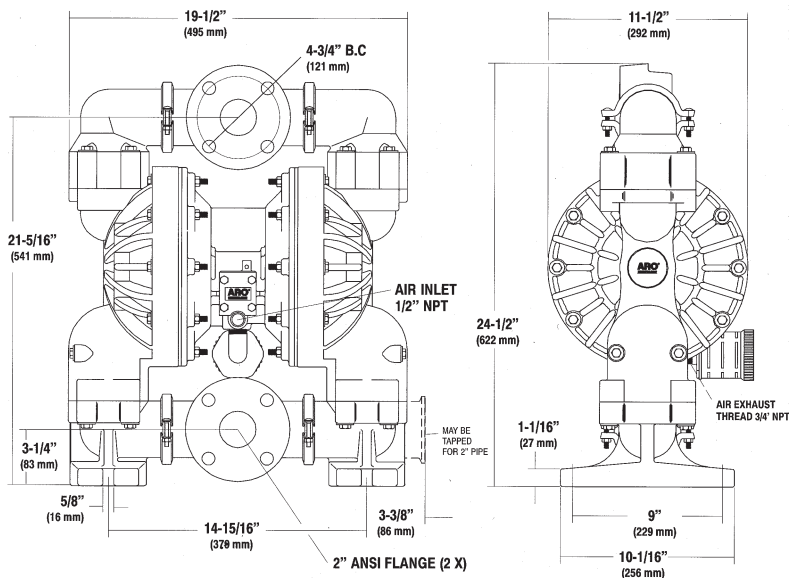


# Performance Specifications

<b>RATIO:</b>	1:1
<b>MAXIMUM G.P.M. (LPM):</b>	145 (548)
<b>DISPLACEMENT GALLONS (Liters) PER CYCLE:</b>	.72 (2.7)
<b>AIR INLET:</b>	1/2" NPTF (f)
<b>FLUID INLET:</b>	ANSI Class 150, 2" Pipe Flange
<b>FLUID OUTLET:</b>	ANSI Class 150, 2" Pipe Flange
<b>MAX. OPERATING PRESSURE PSI (bar):</b>	120 (8.3)
<b>SUSPENDED SOLIDS MAX. DIA. IN. (mm):</b>	1/4-inch (6.4)
<b>WEIGHT - LBS. (Kg):</b>	62 (28) Polypropylene, 92 (42) Kynar® (PVDF) For Cast Iron center section models, add 23 lbs. (10.4 kg.)
<b>MAX. DRY SUCTION LIFT:</b>	14 ft. (Rubber fitted)

# Dimensional Data



# Accessories

**Recommended Filter-Regulator**  
(See Page 38)

**Filter / Regulator: P29241-610**

**67080 - Polypropylene Flange Kit 2" NPT (F)**

For complete airline connection kit, see page 34, item "B".  
Pulsation Dampener, see page 25.

For Diaphragm Pump Accessories see pages 34-36.

For recommended key models, refer to the ARO diaphragm pump price book (Form 2240-2). If the specific model you seek is not in the price book, consult the factory for further selection assistance.



P29241-610

# Ordering

Best Selling Models | 6662A3-3EB-C, 6662B3-344-C, 6662A3-344-C, 6662B4-444-C

<b>Base Model</b>	<b>Air Motor</b>	<b>Wetted Parts</b>	<b>Check Valve Seats</b>	<b>Ball Check/ Diaphragm</b>	<b>C</b>
6 6 6 2	X	X	X X X	- C	
2" Pump	A Aluminum B Cast Iron	3 Polypropylene 4 Kynar (PVDF)	3 Polypropylene 4 Kynar (PVDF) 8 400 SS (Hardened)	22 Nitrile/Nitrile 33 Viton/Viton 44 Teflon/Teflon EB Santoprene/Santoprene	

All hardware is 300 Series Stainless Steel.

ARO | One Aro Center | P.O. Box 151 | Bryan, Ohio 43506-0151  
(419) 636-4242 | (419) 633-1674 Fax | www.arozone.com



For aggressive high-flow applications

DIAPHRAGM