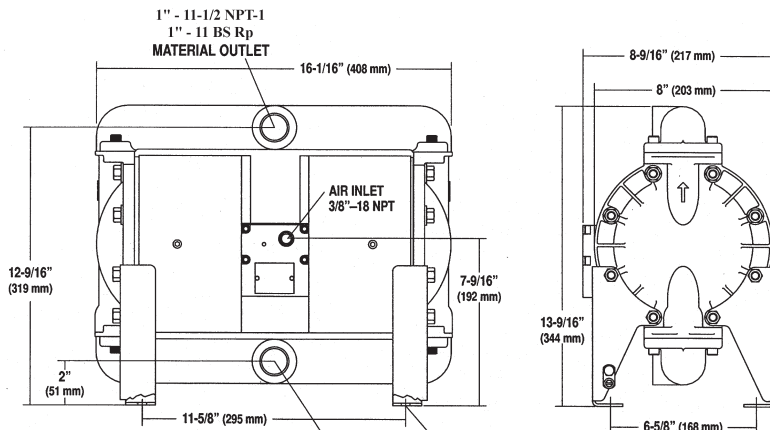


Performance Specifications

RATIO:	3:1
MAXIMUM G.P.M. (LPM):	24 (90.7) Free Flow (12 GPM at 125 psi back pressure)
DISPLACEMENT GALLONS (Liters) PER CYCLE:	.09 (.341)
AIR INLET:	3/8"-18 NPT (f)
FLUID INLET:	1"-11 NPTF (f) or 1"-11 BS Rp (f)
FLUID OUTLET:	1"-11 NPTF (f) or 1"-11 BS Rp (f)
MAX. OPERATING PRESSURE PSI (bar):	300 (20.4)
PASS SOLIDS MAX. DIA. IN. (mm):	1/8-inch (3.2)
WEIGHT - LBS. (Kg):	90 (40.7) Stainless Steel

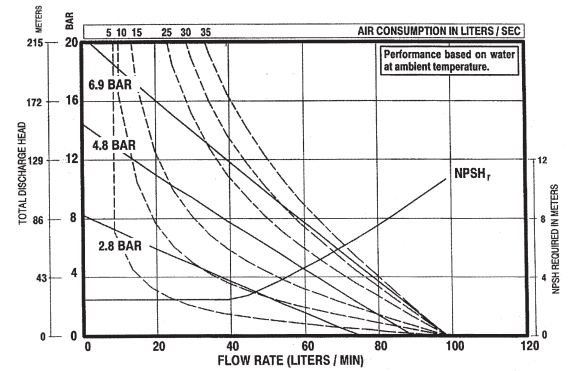
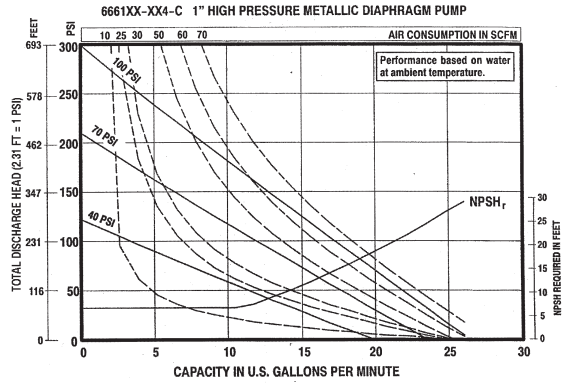
Dimensional Data



Use the Aro High pressure pump in these and other applications:

- Systems with long piping runs and friction losses
- Inks
- Adhesives
- Filled Materials
- Drilling Grout
- Caulking
- Resins

Performance Curves



Accessories

Recommended Filter/Regulator
(See Page 38)

Filter / Regulator: P29231-610
67142 - Wall Mount Bracket

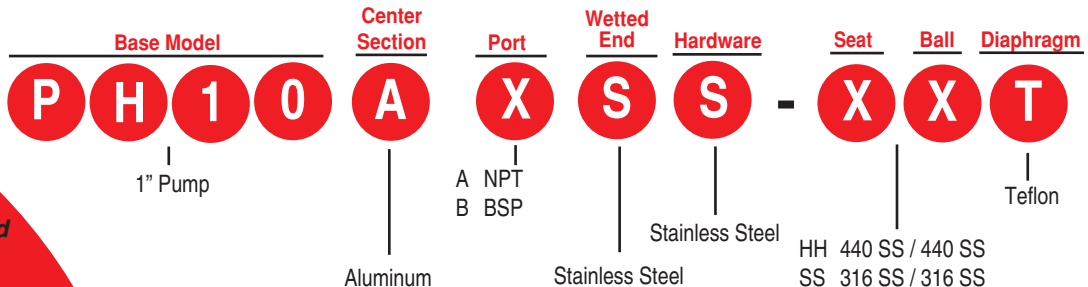


P29231-610

For Diaphragm Pump
Accessories see pages 34-36.

For recommended key models, refer to the ARO diaphragm pump price book (Form 2240-2). If the specific model you seek is not in the price book, consult the factory for further selection assistance.

Ordering



All stainless steel is electro-polished passivated.

