

Specifications

Pulsation Dampener Type
Material / Weight-lbs (kgs)

Non-Metallic / Automatic

Polypropylene 8.4 (3.8)

Conductive Acetal 8.6 (3.9)

Pure Kynar (PVDF) 9.0 (4.1)

Material Inlet/Outlets

SB10X-AXX 1" - NPTF (f), Standard

SB10X-BXX - 1" BSP (f)

Air Inlet

Air Tamer is 3/8" NPTF (m) (Standard)

Maximum Air Inlet Pressure

100 PSIG (6.9 bar)

Maximum Material Inlet Pressure

100 PSIG (6.9 bar)

Maximum Temperature Limits

Polypropylene 35° F - 150° F (±1.6° C - 65.5° C)

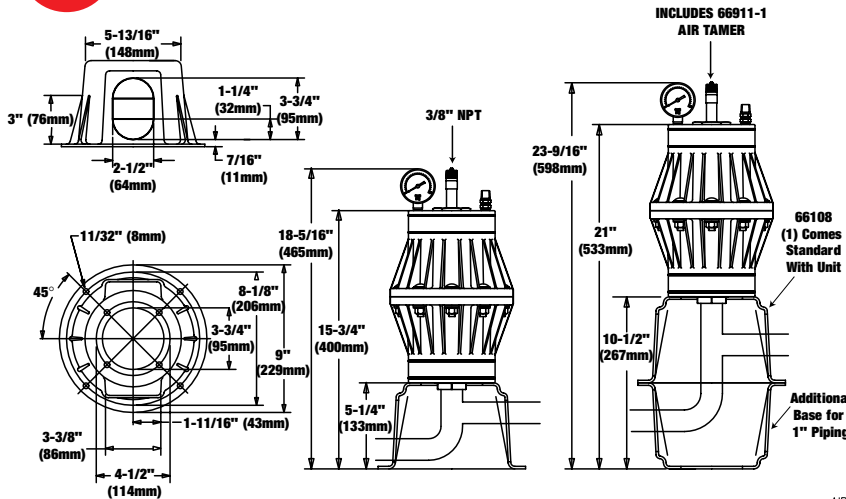
Conductive Acetal 10° F - 180° F (-12° C - 82° C)

Kynar 10° F - 200° F (-12° C - 93° C)

Maximum Fluid Volume

85 in³

Dimensional Data



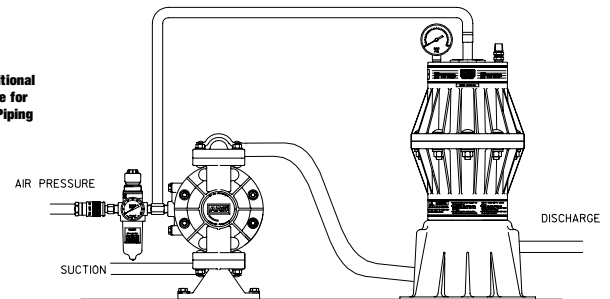
Performance

1/2" Pump: 85% pulsation reduction @ 60PSI
back pressure / 5 GPM

1" Pump: 80% pulsation reduction @ 60PSI
back pressure / 10 GPM

Typical Installation

Used with 1/2" & 1" Ported Diaphragm Pumps



Ordering

Notice: All possible options are shown in the chart below, however, certain combinations may not be recommended. Consult a representative or the factory if you have questions concerning availability.

S B X X X - X X X - X

Blocker Size
10 - 1"

Air Body

P - Polypropylene (Glass Filled)
K - Pure Kynar (PVDF)
D - Conductive Acetal

Thread

A - NPT
B - BSP

Diaphragm

A- Santoprene®
T- Teflon®
U- Urethane

Hardware

S - Stainless (304)

Fluid Construction

P - Polypropylene (Glass Filled)
K - Pure Kynar (PVDF)
D - Conductive Acetal

- Automatic air adjustment-standard
- Works with only 100 PSI pump (1/2" - 1")
- Up to 97% pulsation reduction



One Aro Center | P.O. Box 151 | Bryan, Ohio 43506-0151
(419) 636-4242 | (419) 633-1674 Fax | www.arozone.com