

Performance Specifications

RATIO:	1:1
MAXIMUM FLOW G.P.M. (LPM):	170 GPM (644) PM20S-X 275 GPM(1041) PM30S-X
AIR INLET:	3/4"-14 NPT (f)
AIR EXHAUST:	1-1/2"-11 NPT (f)
FLUID INLET:	2-1/2" Tri-Clamp PM20S-X 3" Tri-Clamp PM30S-X
FLUID OUTLET:	2-1/2" Tri-Clamp PM20S-X 3" Tri-Clamp PM30S-X
MAX. OPERATING PRESSURE PSI (bar):	120 PSI (8.3 bar)
SUSPENDED SOLIDS MAX. DIA. IN. (mm):	1/4" (6.4) 2" Models 3/8" (9.5) 3" Models
WEIGHT - LBS. (Kg):	178 (80.7) PM20S-X 248 (112.5) PM30S-X

Accessories

Recommended Filter-Regulator

(See Page 38)

Filter: F25451-110

Regulator: 27354-600



F25451-110 27354-600

For complete airline connection kit, see page 34, item "B".

For Diaphragm Pump Accessories see pages 34-36.

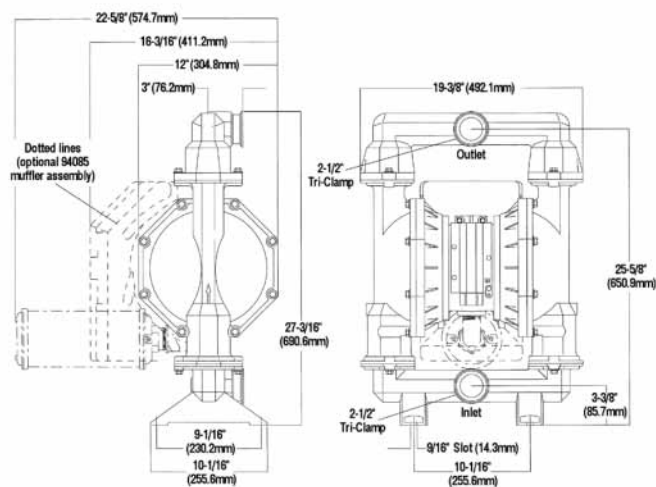
For recommended key models, refer to the ARO diaphragm pump price book (Form 2240-2). If the specific model you seek is not in the price book, consult the factory for further selection assistance.

Typical Applications

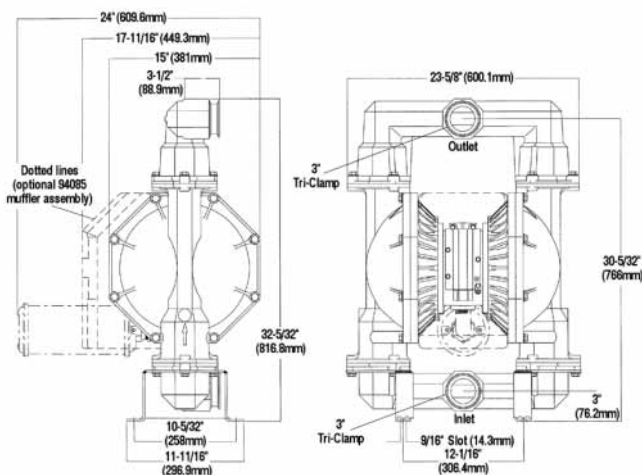
- Food Processing
- Cosmetics
- Pharmaceutical
- Chemical Additives
- Adhesives (Food grade)

Dimensional Data

2-1/2" Tri-Clamp



3" Tri-Clamp



Ordering

Base Model	Center Section	Port	Wet End	Hardware	Seat Material	Disk Check/ Diaphragm	Speciality Code
P M X O	S	C	S	S	X	X X	X O 2
2 2" Pump 3 3" Pump	Stainless Steel	C Tri-Clamp	S Stainless Steel	S Stain. Steel	AA Santoprene/ Santoprene TT Teflon/Teflon		A02 2-inch B02 3-inch
					S 316 Stainless Steel		

NOTE: This pump does not meet 3-A or USDA requirements.

ARO | One Aro Center | P.O. Box 151 | Bryan, Ohio 43506-0151
(419) 636-4242 | (419) 633-1674 Fax | www.arozone.com

Get in the
ARO ZONE

*Electro-polished,
passivated
stainless steel*