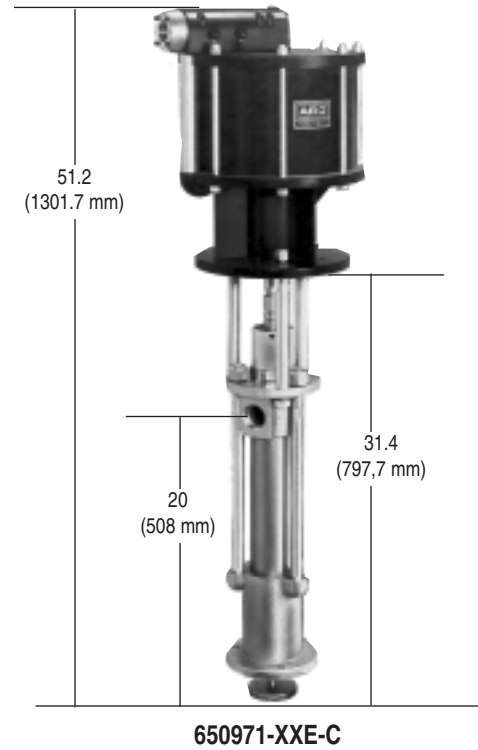


Pump Performance

- Air Inlet Pressure Range 30 - 90 PSI (2 - 6.1 bar).
- Fluid Pressure Range. 2700 PSI (183.6 bar) Max.
- Max. Rec'd Cycles Per Minute . 60
- Displacement Per Cycle 40.4 in³ (662 cm³)
- Cycles Per Gallon (Liter) 5.7 (1.5)
- Flow @ 60 Cycles / Minute 10.5 GPM (39.6 lpm)
- Noise Level @ 60 Psi 88 db(A) w/muffler

Pump Specifications

- Lower Pump Material Carbon Steel
- Plunger Material Carbon Steel
- Cylinder Material. Carbon Steel (Nickel Plated)
- Air Motor 66506-B
- Motor Repair Kit 637112
- Motor Diameter 12"
- Stroke 6"
- Air Inlet 3/4" NPT(F)
- Exhaust Port 1-1/4" NPT(F)
- Chop Check Pump Model. 66236-XXE-B
- Lower Pump Repair Kit 637128-XX4-B
- Material Inlet Bolted Flange
- Material Outlet 1-1/2" NPT(F)
- Weight. 147 lbs. (66.8 kgs.)



Ordering

6 5 0 9 7 1 - X X E - C

Packings / Springs

- 34 : Glass-Filled Teflon (Upper & Lower), Multiple Wave Spring
- C4 : UHMW-PE (Upper & Lower), Multiple Wave Spring
- F4 : UHMW-PE/Leather Staggered (Upper), UHMW-PE (Lower), Multiple Wave Spring
- J3 : Polyurethane (Upper), UHMW-PE (Lower), No Spring
- P4 : UHMW-PE/Teflon Staggered (Upper), UHMW-PE (Lower), Multiple Wave Spring
- R4 : Teflon/UHMW-PE Staggered (Upper), Teflon (Lower) Multiple Wave Spring

Accessories

- Air F/R/L: 28353
- Airline Oil: 62274
- Air Motor Muffler: 66718
- Wet Sol: 66333-B
- Floor Mount: 65139
- Rams Page 14

