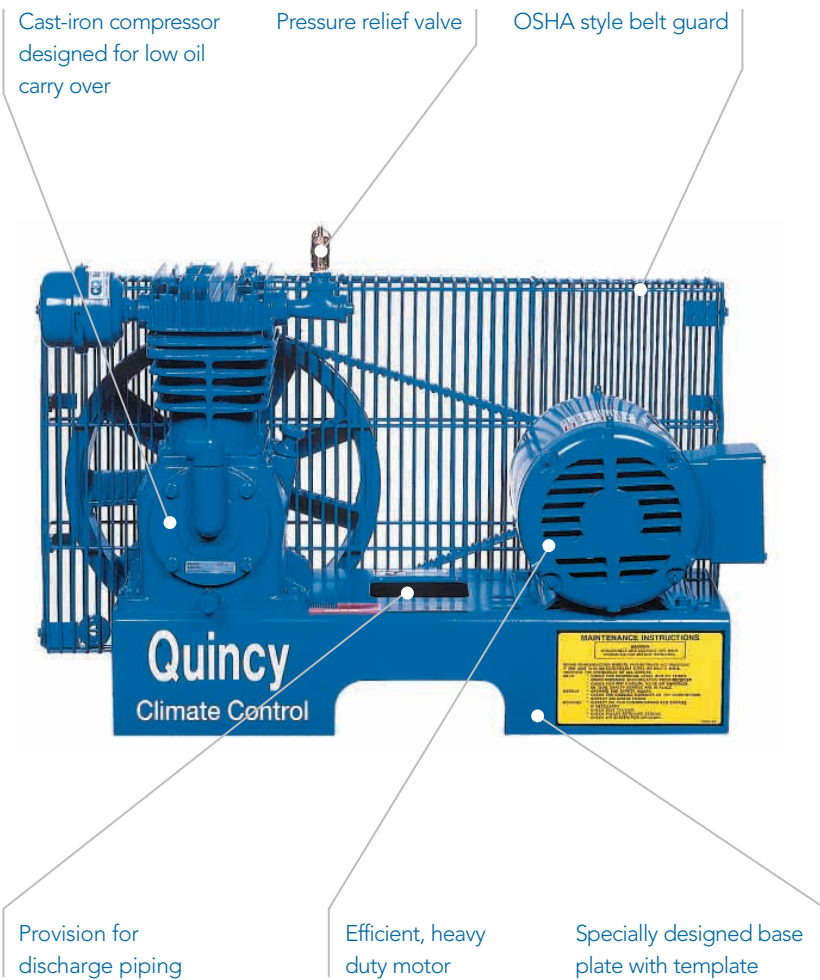


# Quincy® QT Climate Control Replacement Package



## Quincy QT Climate Control Replacement Package

When your climate control compressor goes down, your best solution is the Quincy QT climate control replacement package. Quincy's specially designed base-plate easily mounts to any compressor tank top plate, eliminating replacement parts inventory, emergency rush charges, and days of downtime.

Every Quincy QT climate control replacement package is manufactured using the same high quality standards that ensure the True Blue Reliability of every Quincy Compressor. Standard features include a cast-iron compressor, special lap gap rings, and a certified oil carry over rating of less than 2ppm.

Stop taking chances with your climate control system and stock the only replacement part you'll ever need – the Quincy QT climate control replacement package.

# Quincy Compressor®

True Blue Reliability<sup>SM</sup>

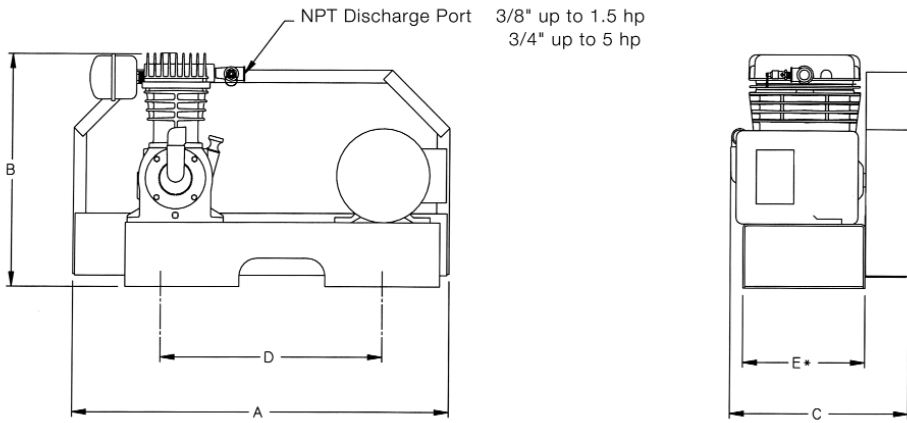
See how Quincy Compressor can work for you.

Call: 217.222.7700

E-mail: [climate.quincy@goodrich.com](mailto:climate.quincy@goodrich.com)

Discover: [www.quincycompressor.com](http://www.quincycompressor.com)

# Quincy® QT Climate Control Replacement Package



Mounting Holes are (8) .044 x .088 Slots

Model	hp	rpm	cfm** fad 80psi	cim** fad 80psi	A	B	C	D	E*	Approximate Shipping Wt. (lbs.)
QC005BR SX†	1/2	357	4.4	7603	26.31	16.19	12.50	15.50	8.50	110
QC007BR SX†	3/4	357	4.4	7603	26.31	16.19	12.50	15.50	8.50	110
QC010BR SX†	1	450	5.0	8640	26.31	16.19	12.50	15.50	8.50	110
QC015BR SX	1-1/2	596	6.5	11232	26.31	16.19	12.50	15.50	8.50	110
QC020BR SX	2	520	9.8	16934	29.00	24.61	19.50	16.11	14.00	325
QC030BR SX	3	647	12.2	21081	29.00	24.61	19.50	16.11	14.00	330
QC050BR SX	5	692	18.2	31449	29.00	25.08	19.50	16.11	14.00	336

\* Template included

† Special heavy duty motors – size wiring and starter according to name plate amps

\*\* CFM values based on pump-up test times

## Quincy Systems Capabilities

Engineered for your compressed air system, Quincy's complete line of analysis services and compressed air products will optimize your system. Whether you're installing a new compressed air system – or upgrading your existing system – every Quincy component has been designed for maximum productivity. Backed by Quincy innovation and reliability – let Quincy Systems work for you.

# Quincy Compressor®

True Blue Reliability<sup>SM</sup>



©2001 Quincy Compressor a Goodrich Corporation Business  
All rights reserved. Litho in U.S.A. (CCR004 07/01)