

SURE-DRAIN™

**The Automatic BALL VALVE Drain with
SOLID STATE reliability**



The Sure Drain Automatic Ball Valve Drain (BVD) is designed for TROUBLE FREE draining of water, oil, scale and any other foreign matter found in an air or water system. The BVD is an excellent replacement for float type drains which have a tendency to stick open when water and oil combine into sludge. The BVD also proves to be superior to solenoid operated units that frequently clog up when scale and other particulate accumulate in the solenoid chamber. The BVD will

allow unwanted condensate and foreign matter to flow straight through the ball valve chamber. There are no points where scale and sludge can accumulate. When the drain cycle is completed, the powerful gearmotor closes the valve securing an air tight seal every time. This proven method of draining away accumulations means less man hours are required for cleaning, repairing, or replacing other types of drains that fail.

AIR SYSTEM PRODUCTS, INC.

51 Beach Ave. • Lancaster, NY 14086 • (716)683-0435 FAX (716) 683-7128 • www.airsyspro.com

"The Best in Condensate Drain Technology"

Bulletin BVD 01

SURE-DRAIN

Automatic Ball Valve Drain

Design

Ball Valves have proven to be the most reliable and trouble-free way of draining unwanted accumulations from air or water systems. They will not clog up because of their straight through flow and positive closing action.

The ball valve is connected to the gear motor with a coupling to eliminate any small misalignment and reduce any chance of premature ball valve failure. All valves are supplied with glass reinforced seals and stainless steel ball and stem for long lasting protection against corrosion.

The programmable solid state timing control is simple because it is accessible from the outside, so it can be easily setup and checked without having to waste time removing a number of screws and a cover. Time between each draining cycle can be adjusted from 1-50 minutes. The valve will remain open for a period of 5 seconds.

The powerful (140 in /lbs. torque) gear motor is housed in a rugged Nema 4X, noncorrosive enclosure that will resist the toughest of environments.

Installation

The BVD should be used wherever draining is required. Because the drain is available in sizes from 1/4" to 1", the BVD can be used on small or large systems. The drain can be installed in either a vertical or horizontal position. See Diagram 1.

Electrical Requirements

The BVD is 115 Volt, 60 Hz and comes complete with an 8 foot grounded power cord and plug for easy electrical hook up. A test switch is provided for a quick check of the drain operation.

Features

- External controls for easy adjustability (1 -50 Min.)
- 600 PSIG Maximum working pressure, no minimum required.
- Choice of 1/4" to 1" bronze body with stainless steel ball and stem.
- Reinforced TFE seats and seals.
- Optional SS body.
- Noncorrosive Nema 4 Enclosure.
- Universal mounting position.
- 8' grounded cord with plug.
- Solid state timer.
- Fully tested.
- Standard 115V, 60 Hz.
- Approximate weight (6 lbs.)
- Made in U.S.A.

Approximate Quarts Per Discharge Cycle

Operating Pressure	1/4"	1/2"	3/4"	1"
50	2	3.7	6.9	12.7
75	2.4	4.4	8.3	15.1
100	2.7	5	10	17.2
125	3	5.6	10.5	19.3
150	3.2	6	11.2	20.6

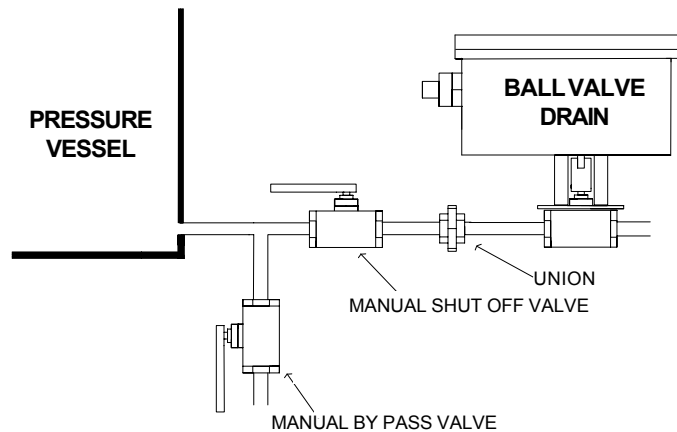
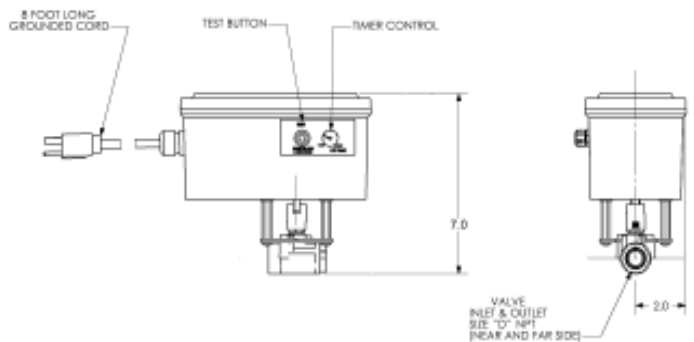


DIAGRAM 1 - TYPICAL INSTALLATION

Model	Description
BVD-2B14	1/4" NPT Bronze Valve
BVD-2B12	1/2" NPT Bronze Valve
BVD-2B34	3/4" NPT Bronze Valve
BVD-2B10	1" NPT Bronze Valve
BVD-2S14	1/4" NPT Stainless Steel Valve
BVD-2S12	1/2" NPT Stainless Steel Valve
BVD-2S34	3/4" NPT Stainless Steel Valve
BVD-2S10	1" NPT Stainless Steel Valve

Distributed by:

AIR SYSTEM PRODUCTS, INC.

51 Beach Ave., Lancaster, NY 14086

(716)683-0435 ■ (716)683-7128

www.airsyspro.com